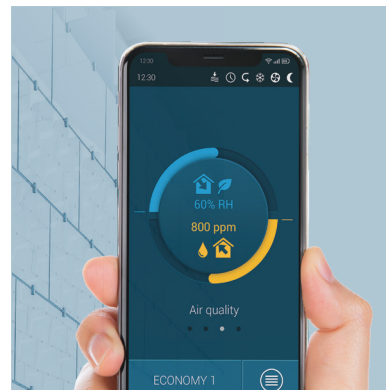


***komfovent***<sup>®</sup>



# VERSO Standard



USER MANUAL

EN



## CONTENT

|   |    |
|---|----|
| <b>1. INTRODUCTION</b> .....  | 5  |
| 1.1. Before turning on the unit .....                                       | 5  |
| <b>2. AIR HANDLING UNIT FUNCTIONS</b> .....                                 | 6  |
| 2.1. Ventilation modes .....  | 6  |
| 2.2. Air flow control .....   | 6  |
| 2.3. Temperature control .....  | 7  |
| 2.4. Air Quality Control (AQC) .....  | 7  |
| 2.5. Outdoor compensated ventilation (OCV) .....                            | 7  |
| 2.6. Minimum temperature control function (MTC) .....                       | 8  |
| 2.7. Operation on demand (OOD) .....  | 8  |
| 2.8. Summer night cooling function (SNC) .....                              | 8  |
| 2.9. Override (OVR) .....   | 8  |
| 2.10. Protective functions .....  | 9  |
| <b>3. OPTIONAL FUNCTIONS</b> .....  | 10 |
| 3.1. Humidity control function (HUM) .....                                  | 10 |
| 3.2. Additional zone control (ZN) .....                                     | 10 |
| 3.3. Multi-level frost prevention .....                                     | 11 |
| 3.4. Combined water heater/cooler .....                                     | 11 |
| 3.5. Control of direct evaporation (DX) devices .....                       | 11 |
| 3.6. Water flow monitoring function .....                                   | 12 |
| 3.7. External pressure manometers for monitoring filter contamination ..... | 12 |
| <b>4. CONTROL AND SETTINGS. CONTROL PANEL C5.1</b> .....                    | 12 |
| 4.1. Parameter overview .....   | 14 |
| 4.2. Turning on and selection of ventilation modes .....                    | 15 |
| 4.2.1. Calibration of the CF heat exchanger during commissioning .....      | 15 |
| 4.3. Setting parameters of ventilation modes .....                          | 16 |
| 4.4. Scheduling window and ventilation schedule settings .....              | 17 |
| 4.5. Overview window .....  | 18 |
| 4.6. Functions .....  | 19 |
| 4.7. Settings .....   | 21 |
| 4.7.1. Air handling unit .....  | 21 |
| 4.7.2. Customization .....  | 22 |
| <b>5. CONTROL AND SETTINGS. COMPUTER</b> .....                              | 24 |
| 5.1. Modes .....  | 24 |
| 5.1.1. Operation modes .....  | 25 |
| 5.1.2. Flow control modes .....   | 25 |
| 5.1.3. Temperature control modes .....                                      | 26 |
| 5.2. Functions .....  | 26 |
| 5.2.1. Air quality control (AQC) .....                                      | 26 |
| 5.2.2. Outdoor compensated ventilation (OCV) .....                          | 26 |
| 5.2.3. Minimum temperature control (MTC) .....                              | 27 |
| 5.2.4. Summer night cooling (SNC) .....                                     | 27 |
| 5.2.5. Override function (OVR) .....  | 27 |
| 5.2.6. Operation on demand (OOD) .....                                      | 27 |
| 5.2.7. Humidity control (HUM) .....   | 28 |
| 5.2.8. Additional zone control (ZN) .....                                   | 28 |

|   |           |
|---|-----------|
| 5.2.9. Water heater/cooler .....                        | 29        |
| 5.3. Alarms/Status.....                                 | 29        |
| 5.3.1. Actual alarms.....                               | 29        |
| 5.3.2. Alarm history .....                              | 29        |
| 5.3.3. Operation counters.....                          | 30        |
| 5.3.4. Efficiency status.....                           | 30        |
| 5.3.5. VAV status .....                                 | 30        |
| 5.3.6. Controller status .....                          | 31        |
| 5.4. Scheduling.....                                    | 31        |
| 5.4.1. Operation program.....                           | 31        |
| 5.4.2. Holidays.....                                    | 32        |
| 5.5. Settings .....                                     | 32        |
| 5.5.1. Date/time.....                                   | 32        |
| 5.5.2. Connectivity.....                                | 33        |
| 5.5.3. User interface .....                             | 33        |
| 5.5.4. Log-in password.....                             | 33        |
| 5.5.5. Restoring factory settings.....                  | 34        |
| <b>6. CONTROL VIA A SMARTPHONE .....</b>                | <b>34</b> |
| <b>7. PERIODIC MAINTENANCE .....</b>                    | <b>36</b> |
| 7.1. Housing.....                                       | 37        |
| 7.2. Filters.....                                       | 38        |
| 7.3. Fans.....  | 39        |
| 7.4. Rotary heat exchanger .....                        | 39        |
| 7.5. Counter-flow heat exchanger .....                  | 39        |
| 7.6. Water heater/cooler.....                           | 39        |
| 7.7. Direct evaporation cooler/heater (DX) .....        | 39        |
| 7.8. Electrical heater.....                             | 40        |
| <b>8. TROUBLESHOOTING.....</b>                          | <b>40</b> |
| <b>ANNEX 1. Filter inspection and replacement .....</b> | <b>44</b> |

## 1. INTRODUCTION

An air handling unit is a device designed to ensure good ventilation in the premises. An air handling unit removes indoor air containing carbon dioxide, various allergens or dust and replaces it with filtered fresh outdoor air. VERSO Standard air handling units are intended for ventilation of medium-sized spaces (eg. single family houses, offices, etc.), having operating ambient temperature and relative humidity. As standard, the unit is designed for indoor placement. These air handling units are not intended for air flows containing solid particles. As the outside air is usually colder or warmer than the indoor air, an integrated recuperator (heat exchanger) is used to recover thermal energy from the indoor air and transfer the majority of it to the supplied air. If a heat exchanger alone is not capable of reaching a desired temperature, heaters or coolers can be additionally activated.<sup>1</sup>



- Heat exchangers and heaters (or coolers) are designed to compensate for heat/cool losses during ventilation, therefore, we do not recommend using this unit as the main heating/cooling source. The unit may fail to reach the user-defined supply air temperature when the actual room temperature significantly differs from the desired room temperature. This condition results in inefficient operation of the heat exchanger.
- We recommend keeping your air handling unit turned on at all times; when ventilation is not necessary, switch the unit to the minimum intensity operation (20 %). This will help to ensure good indoor climatic conditions and will reduce condensation inside the unit that can cause failure in electronic components.
- VERSO Standard air handling units are not intended for operation in areas with potentially explosive atmospheres. Air handling units are not intended for ventilation and dehumidification of wet premises (pools, saunas, car washes, etc.).
- When the AHU is installed in a room with high humidity level, condensate may form on the walls of the unit at low outdoor temperatures.



This symbol indicates that this product may not be disposed of with your household waste as specified in the WEEE Directive (2002/96/EC) and national laws. This product should be handed over to a designated collection point or to an authorised collection site for recycling electrical and electronic equipment (EEE) waste. Improper handling of this type of waste could have a negative impact on the environment and human health due to potentially hazardous substances that are generally associated with electrical and electronic equipment. At the same time, your cooperation in the correct disposal of this product will contribute to the effective usage of natural resources. For more information about where you can drop off your waste for further recycling, contact your city authorities, waste management organisations, approved WEEE scheme or your household waste disposal service.

### 1.1. Before turning on the unit

Before turning on the unit, make sure that:

- The unit is installed in a designated location, all ducts and wires are connected, and sections are tightly interconnected.
- There are no foreign objects, debris or tools inside the unit.
- All air filters are installed.
- Condensate drainage is connected (if necessary) and siphons are filled with water.
- All doors are closed and/or locked and all protective caps are screwed on.



- Do not operate the unit connected to a temporary power supply as unstable power supply can damage electronic components.
- The air handling unit shall not be turned on without installed and connected protective earthing.

In case of any doubts, contact your installer or "Komfovent" representative to make sure that the unit is operational.

<sup>1</sup> Depends on the unit components.

## 2. AIR HANDLING UNIT FUNCTIONS

Operation algorithms and functions of the air handling unit are controlled by an integrated automation system. The air handling unit operates in a user-selected ventilation mode, using additional functions to adjust fan speed and/or power of heaters/coolers. Automation system also continuously monitors various parameters to ensure proper operation of individual protective guards: when these parameters go out of range, error messages are displayed or the unit is stopped.



If the unit is supplied without a factory-installed automation system, the company that installed the automation system shall be responsible for operation of the unit and reliability of protective guards.

### 2.1. Ventilation modes

The unit operates in one of the available ventilation modes. Air volume for each fan and desired air temperature can be set individually for each mode. The unit comes with the following preset ventilation modes that may be used immediately after installation or, if required, after altering ventilation settings:

- **COMFORT 1** – maximum ventilation intensity (100%), desired air temperature – 21°C.
- **COMFORT 2** – average ventilation intensity (50%), desired air temperature – 21°C.
- **ECONOMY 1** – low ventilation intensity (33%), desired air temperature – 20°C.
- **ECONOMY 2** – minimum ventilation intensity (20%), desired air temperature – 19°C.
- **SPECIAL** – maximum ventilation intensity (100%), desired air temperature – 21°C. This ventilation mode may also be used to block heating/cooling and other functions.

For information on how to select a ventilation mode and change parameters see Chapter “Control and Settings”.

### 2.2. Air flow control

Fan speed of AHU is adjusted by the selected air flow control method:

- **CAV** – constant air volume control. Fan speed is adjusted by measuring air flow and comparing it against the set value. Fan rotates at a speed required to reach the set air volume, regardless of pressure changes. For example, when air filters get contaminated, fan speed is automatically increased to ensure the same volume of air as during operation with clean filters. In operating modes the user can set the desired air volume for each fan separately. Air volume is set and measured in m<sup>3</sup>/h, m<sup>3</sup>/s or l/s.
- **VAV** – variable air volume control mode. This method allows maintaining constant air pressure in ducts and adjusting fan speed according to pressure changes in the ventilation system. Air pressure in ducts is measured with optional VAV pressure sensors installed in supply and extract air ducts and connected to B6 and B7 terminals of the main controller (see “Installation Manual”). The user sets a desired air pressure value for the supplied and extracted air flows separately in operating modes. Air pressure is set and measured in Pa. For proper activation of this function please see the “VAV Function Installation Instruction”.
- **DCV** – direct air volume control mode. This mode is very similar to the CAV mode, but additionally allows adjustment of fan speed by connecting 0..10 V control signal to terminals B6 and B7 of the main board (see “Installation Manual”). As the control signal voltage changes, fan speed is adjusted accordingly, i.e. 10V corresponds to the set air volume value, whereas, 2V corresponds to 20% of the fan power.



VAV or DCV air flow control method requires additional air duct equipment, therefore, use these functions only after consulting the installer or other qualified professional.

For information on how to select an air flow control method see Chapter “Control and Settings”.

## 2.3. Temperature control

Temperature in the air handling unit is maintained by measuring the actual temperature and comparing it against the user-defined temperature. Then, depending on whether the supplied air requires heating or cooling, heat exchanger or additional heaters/coolers are activated. Available temperature control methods:

- **Supply air temperature control** – the unit supplies air of user-defined temperature.
- **Extract air temperature control** – the unit automatically selects the temperature of supplied air to ensure that the temperature of extracted air is reached and maintained as quickly as possible. Room air temperature is measured by an integrated exhaust air temperature sensor.
- **Room temperature control** – the unit automatically selects the temperature of supplied air to ensure that the room temperature is reached and maintained as quickly as possible; room temperature is measured by an optional sensor (0..10 V signal corresponds to the range of 0..50 °C). Room temperature control function will only be available if none of the following functions is activated at the same time: AQC, OOD.
- **Balance** – supplied air temperature will be maintained to be the same as extracted air temperature, therefore, selecting a desired temperature in the ventilation mode settings is not possible. Room air temperature is measured by an integrated exhaust air temperature sensor.

For information on how to select a temperature control method see Chapter “Control and Settings”.

## 2.4. Air Quality Control (AQC)

Air quality control function is intended for adjusting ventilation intensity according to the indoor air quality. When indoor air quality drops below the user-defined limit, ventilation intensity is gradually increased until the air quality improves. This function requires an air quality sensor installed inside the extraction air duct or inside the room (see “Installation Manual”).

Air quality may be controlled by one of the following sensors (type of the sensor is selected during ordering or set in the remote control menu item “Settings”):

- Carbon dioxide CO<sub>2</sub>.
- Air quality VOC<sub>q</sub>, where maximum signal corresponds to good air quality.
- Air quality VOC<sub>p</sub>, where minimum signal corresponds to good air quality.
- Relative humidity RH.
- Temperature TMP.

AQC function is blocked if any of the following functions are activated at the same time: SNC, MTC, OCV.

For information on how to activate this function and set a maintained air quality value see Chapter “Control and Settings”.

## 2.5. Outdoor compensated ventilation (OCV)

This function adjusts ventilation intensity according to the outdoor temperature. This saves the energy needed for air heating or cooling. The user sets four outdoor temperatures (two for winter and two for summer) for this function to operate. As long as the outdoor temperature is outside the summer or winter temperature limits, the unit keeps running in a currently activated ventilation mode. Ventilation intensity is reduced to “Minimum airflow” proportionally to the rising (summer temperature range) or decreasing (winter temperature range) outdoor temperature.

OCV function is blocked if SNC functions are activated at the same time. This function also has priority over AQC function.

For information on how to activate this function and set temperature ranges see Chapter “Control and Settings”.

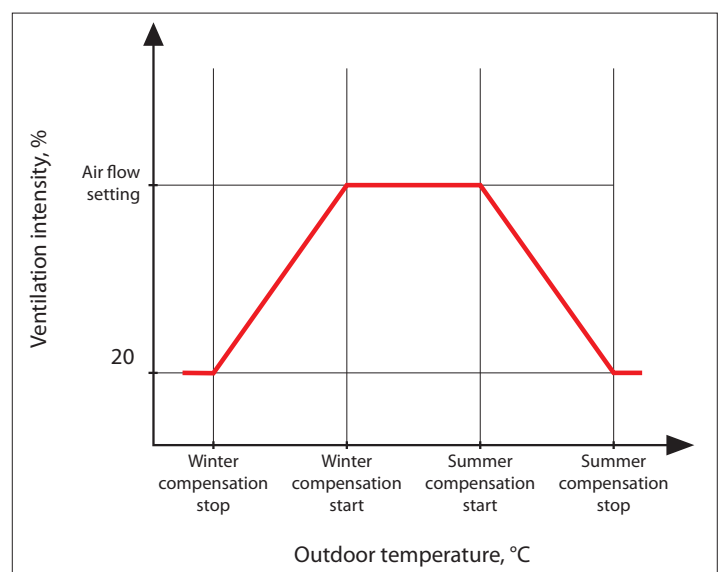


Fig. 1. OCV function operation

## 2.6. Minimum temperature control function (MTC)

Minimum temperature control function forcibly reduces the user-defined ventilation intensity when the set minimum temperature cannot be reached. Fan speed is gradually reduced when the outdoor temperature drops below + 5 ° and the power of the heat exchanger and heater is insufficient to reach the minimum temperature. If this function runs for a long time, ventilation intensity is reduced to 20%.

During summer, the minimum temperature control function limits power of coolers when, in case of cooling demand, supplied air temperature is below the minimum set temperature value.

For information on how to activate this function and set a minimum temperature value see Chapter "Control and Settings".

## 2.7. Operation on demand (OOD)

This function turns on the AHU as soon as the indoor air quality decreases. In this way, the air handling unit will only run when ventilation is required and will remain stopped when the air quality is good. As the air quality decreases and reaches the user-defined critical limit, the air handling unit starts and runs in the last activated operating mode. If the air quality improves within 30 minutes (pollution drops 10% below the critical limit), the unit stops. If the air quality remains poor, the unit keeps operating.

This function requires an additional air quality sensor installed inside the room (see "Installation Manual"). The same sensor is also used for AQC function.

Sensor type is selected during ordering. Later, the sensor type may be changed in the remote controller menu "Settings".

For information on how to activate this function and set a critical air quality value see Chapter "Control and Settings".

## 2.8. Summer night cooling function (SNC)

Summer night cooling function uses the night's cool air to ventilate the premises during summer. This function removes excess heat accumulated during the day and fills the building with cooler outdoor air.

Function runs at night (from 00:00 a.m. to 06:00 a.m.) when the outdoor air is cooler than the indoor air and the indoor temperature is higher than the user-defined limit (i.e. ventilation is required). When this function is activated, the ventilation intensity is increased to the maximum and the outdoor air is supplied to the premises (all cooling devices are switched off, heat exchanger is stopped). The user may also set the room temperature at which the function will be stopped.

Summer night cooling function has priority over ACV and AQC functions.

For information on how to activate this function and set ON/OFF temperatures see Chapter "Control and Settings".

## 2.9. Override (OVR)

Override function is activated by closing designated contacts in the controller board, i.e. by connecting a switch, cooker hood or a motion sensor (see "Installation Manual"). This function ignores current ventilation mode and switches to the pre-selected mode or stops it. In the function setup screen the user can select any ventilation mode, weekly operation schedule or turning off of the unit. Additionally, the user may also specify conditions when the override function should run:

- All the time – function is activated any time by closing contacts, regardless of whether the unit is operating or stopped.
- When running – function is activated by closing contacts when the unit is operating. When the unit is stopped with a remote controller or by a weekly schedule, the function cannot be activated by closing contacts.
- When stopped – function is activated by closing contacts when the unit is stopped. If the unit is already running in any ventilation mode, the function cannot be activated by closing contacts.

This function runs as long as contacts are closed. When the contacts are open, the unit returns to the previous ventilation mode or stops, if it was stopped before activating the function.



## 2.10. Protective functions

The air handling unit is equipped with several protective functions that affect the operation of the unit. The operator is not allowed to change these settings values. These functions protect the unit and its components against damage as well as provide protection for the building and people when the ventilation system is exposed to dangerous circumstances.

**External fire alarm function** stops the air handling unit as soon as a signal from the building's fire alarm system or smoke detectors is received. This immediately stops ventilation and fresh air from entering fire zones to prevent fire from spreading. Fire alarm message is displayed on a control panel or other device used for controlling the air handling unit. In case of false fire alarm, for example, due to fire protection system inspections, the air handling unit will need to be restarted after turning off the signal and clearing the fire alarm message. If such tests are run periodically, authorized service person may program the air handling unit to start in the previous mode after turning off the fire alarm.

Connection of the building's fire protection system signal is described in the "Installation Manual".

**Internal fire alarm function** stops the air handling unit when air temperature increase is detected inside the unit. This can happen, for example, when hot smoke enters the duct system from fire zones both inside and outside the building. This function prevents smoke from spreading inside the premises and warns about a potential fire hazard if the building's fire protection system has not yet responded. If the air handling unit is intended for operation in high temperature premises (for example, in drying chambers, bakeries, etc.), this function may be disabled. This can be done by authorized service person.

**Electric heater overheat protection** consists of several different control algorithms. Integrated thermostats disconnect electric heater's power supply if its temperature reaches a critical limit (e.g., in case of heater's control electronics failure). Every electric heater has 2 thermostats:

- Automatic thermostat 70°C which prevents heating tubes from overheating when the heater is running at high power and low airflow speed. Protection is restored as soon as the heater cools down and thermostat temperature drops. Heater operation is restored automatically.
- Manual reset thermostat 100°C. This thermostat, in case of overheating, completely disconnects the heater's power supply to protect control electronics and adjacent plastic components. Protection may be reset by pressing the RESET button inside the unit (see Chapter "Troubleshooting").



Eliminate the cause of overheating before restoring the manual reset thermostat of 100°C.

**Fan cooling of heating/cooling devices.** If the air handling unit is stopped while electric heater or direct evaporation (DX) unit is still running, fan cooling is initiated. Fans run at fixed speed until heater tubes cool down or DX unit's refrigerant pressures stabilize. Blowing time depends on the accumulated heat/cold and ventilation intensity and can take up to 15 minutes.

**Water heater frost protection** function measures water temperature returning from the heater coil. At low outdoor temperatures, when there's a risk of water freezing, a 3-way water mixing valve is opened and hot water pump is started to prevent temperature of water inside the heater from dropping. If temperature of water returning from the heater coil still falls below the critical limit, the unit is stopped and outdoor air dampers are closed to prevent cold air from entering the unit.



When operating air handling unit in the temperatures lower than 0 °C, it is necessary to use water-glycol mixture as a heat carrier or to maintain a return water temperature of at least 25 °C.

Water flow sensor may also be used as an additional frost protection (see Chapter “Water Flow Monitoring Function”).

**Counter-flow heat exchanger frost protection<sup>1</sup>** is activated at negative outdoor temperatures and continuously monitors pressure difference upstream and downstream the heat exchanger. When condensate accumulates in a plate heat exchanger and ice starts to form, pressure increases and defrosting actions are initiated. During the defrosting cycle an air bypass damper is opened and cold outdoor air is directed to heating devices bypassing the heat exchanger, therefore, during the defrosting cycle the supply air temperature briefly decreases. In the meantime, the extracted warm air melts forming ice crystals. Heat exchanger operation is restored as soon as pressure drops.



For proper functioning of the frost protection CF heat exchanger calibration is necessary (see chapter “CF Heat Exchanger Calibration during Commissioning”).

## 3. OPTIONAL FUNCTIONS

### 3.1. Humidity control function (HUM)

Humidity control function is intended for maintaining the user-defined air humidity level. This function controls air humidifiers or dehumidifiers according to the user-defined humidity level and also can perform dehumidification using integrated heating/cooling devices. This function requires one or two humidity sensors connected to the C5 controller board (see “Installation Manual”).

This function can be used to maintain:

- **Supply air relative humidity level (RH)** – a duct-mounted supply air humidity sensor is needed. Air humidity setpoint is set in %RH.
- **Supply air absolute humidity level (AH)** – a duct-mounted supply air humidity sensor is needed. Air humidity setpoint is set in g/m<sup>3</sup> or g/kg.
- **Indoor air relative humidity level** – when two humidity sensors are used. Indoor air (or extract air) sensor measures the desired humidity level in the premises, whereas the supplied air humidity is limited according to the readings of a duct-mounted humidity sensor.

Settings for humidity control function and humidifier/dehumidifier control type is selected during ordering of the air handling unit. Later, these settings may only be changed by a service representative. Humidity control function has priority over AQC function. For information on how set a desired humidity value see Chapter “Control and Settings”.

### 3.2. Additional zone control (ZN)

This function allows controlling up to three different temperature zones with one air handling unit. Temperature of the main zone is maintained by integrated heaters/coolers. Temperature in other zones is maintained by connected additional zone modules<sup>2</sup>, which are used to control duct-mounted heating/cooling devices. Every additional temperature zone will also have a separate temperature sensor and a separate setting for the desired temperature that the user will be able to set with the control panel.

An additional zone module may also control heaters/coolers installed in the same supply air flow, when more heating/cooling power stages are required or a pre-heater is connected upstream the air handling unit.

For more information about this function and connection of heating/cooling devices see “Additional zone control C5” Instruction Manual.

For information on how to activate this function and set a desired temperature value see Chapter “Control and Settings”.

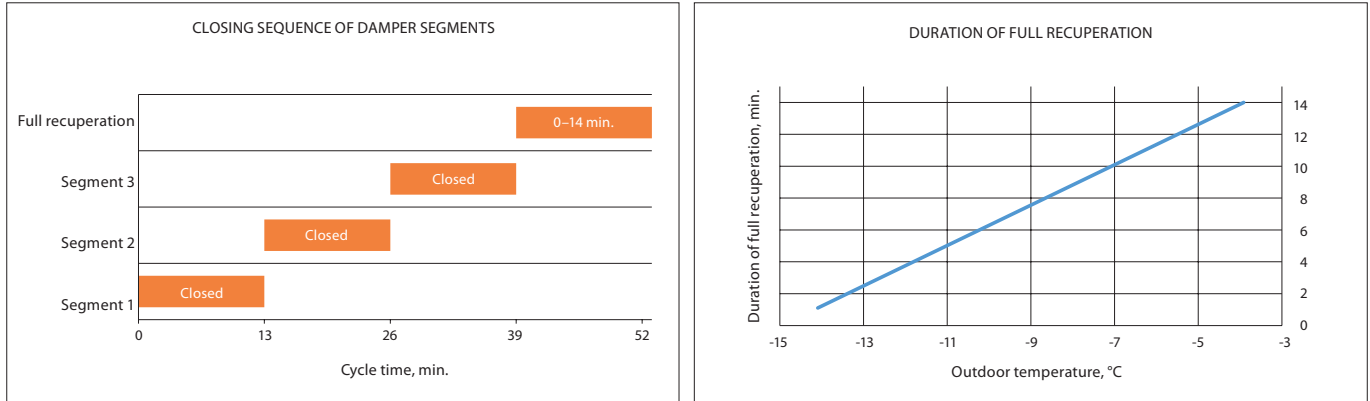
<sup>1</sup> Only in CF units.

<sup>2</sup> Sold separately.


### 3.3. Multi-level frost prevention<sup>1</sup>

When ordering an air handling unit with a counter-flow heat exchanger (CF), you may additionally select a multi-level antifreeze protection function. If this function is ordered, the heat exchanger is fitted with a four-segment damper. If there is a risk of freezing, damper segments close/open in turns, thus preventing the heat exchanger from freezing.

Multi-level frost prevention function starts when outdoor temperature falls below -4 °C.



If outdoor temperature drops below -15 °C, full recuperation is not done and segments closing/opening intervals are the same.



**In frost prevention mode, additionally pressure drop over the exchanger and heat-exchanger efficiency is monitored constantly. In case if pressure drop increases, standard defrosting algorithm takes place, so by-pass damper opens and cold airflow through heat-exchanger is closed.**

The function is only activated at the factory and cannot be added to the air handling unit later.

### 3.4. Combined water heater/cooler

It is possible to use only one water heater and one piping unit (mixing valve, valve actuator, circulation pump) both for heating and cooling. For the function to work properly, an additional external signal (e.g., from a thermostat) is required to switch between heating and cooling modes (see "Installation Manual").

This feature is pre-ordered and configured at the factory. Later, settings of this function may only be changed by a service representative.

### 3.5. Control of direct evaporation (DX) devices

When the unit is ordered with an additional direct evaporation (DX) coil, a feature for controlling an external DX unit is enabled. There are several different ways to control the DX unit:

- Modulated control – DX device is controlled by 0..10 V signal.
- Stepping control – START/STOP type DX devices are used.

This feature is pre-ordered and configured at the factory. Later, settings of this function may only be changed by a service representative.

<sup>1</sup> Only for VERSO CF 2300 U/H/V, VERSO CF 3500 U/H/V and VERSO CF 5000V units.

### 3.6. Water flow monitoring function

Water flow monitoring function is intended for additional protection of a water heater coil. Flow sensor monitors water flow and emits a signal as soon as it slows down to a critical limit or stops completely. Then the air handling unit is stopped and the control panel displays an error message.

Water flow can decrease for a variety of reasons, for example, faulty water pump or jammed valve; decreased water flow is extremely dangerous at low outdoor temperatures as water could freeze and damage the heat exchanger. If this function is ordered in advance, the air handling unit is equipped with a water flow sensor and a 3-way valve for installation thereof. For more information please see the "Water Flow Monitoring Function Manual".

### 3.7. External pressure manometers for monitoring filter contamination

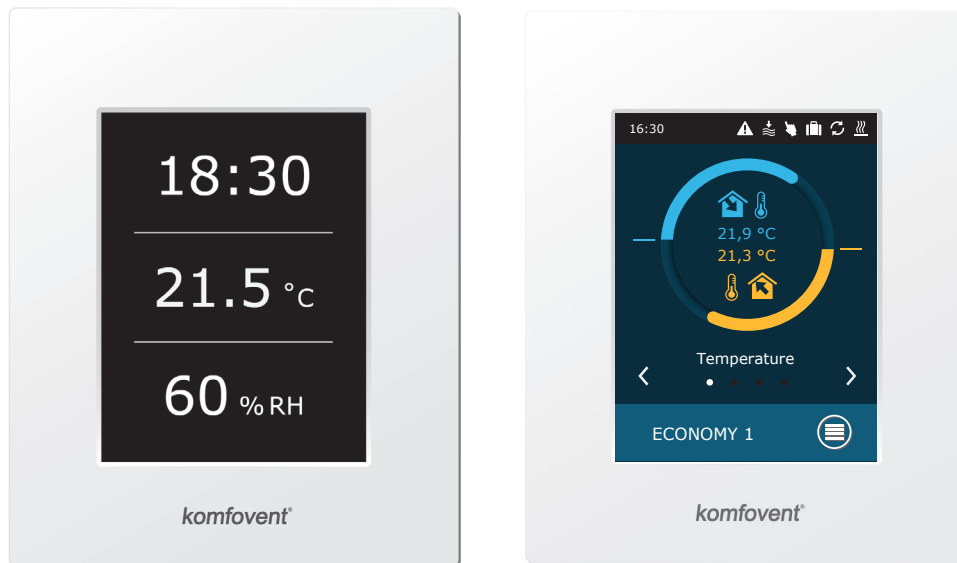
Additional manometers can be ordered for monitoring filter contamination. These gauges will show filter pressure changes in real-time. Manometers are ordered in advance with the unit and installed in the factory. Manometers are mounted outside the unit at exhaust and outdoor air filters.

## 4. CONTROL AND SETTINGS. CONTROL PANEL C5.1<sup>1</sup>

Air handling unit may be conveniently controlled via the following ways:

- Control panel.
- Mobile app.
- Web browser.

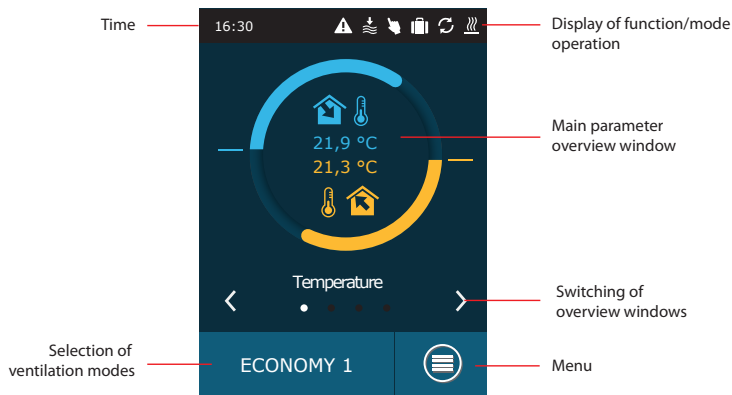
C5.1 panel has a colour touchscreen. If the unit is connected to the mains, the control panel will display the home screen or screen saver that you can switch off with a single tap.



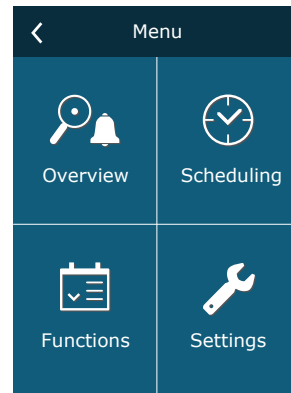
<sup>1</sup> Sold separately.

This control panel is designed for indication and changing of various functions and settings of the unit. Touch-sensitive display reacts to soft taps, therefore, do not use any sharp tools (screwdrivers or pens), also do not apply excessive force as it may damage the display.

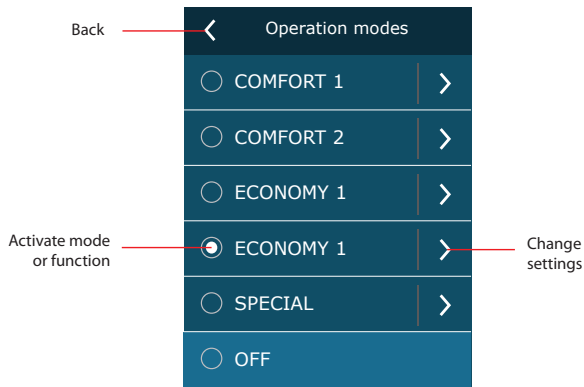
**Main screen**



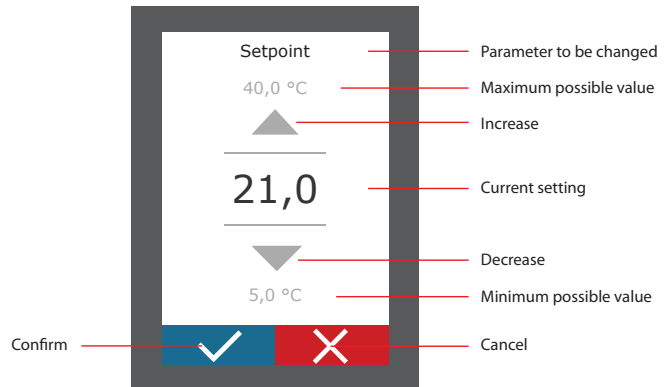
**Menu window**



**Selection of ventilation modes**



**Parameter modification window**

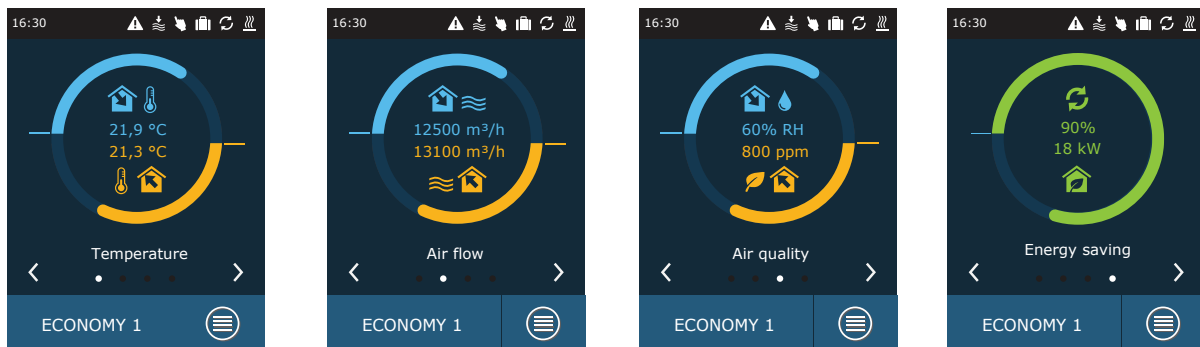


**Explanation of the displayed symbols**

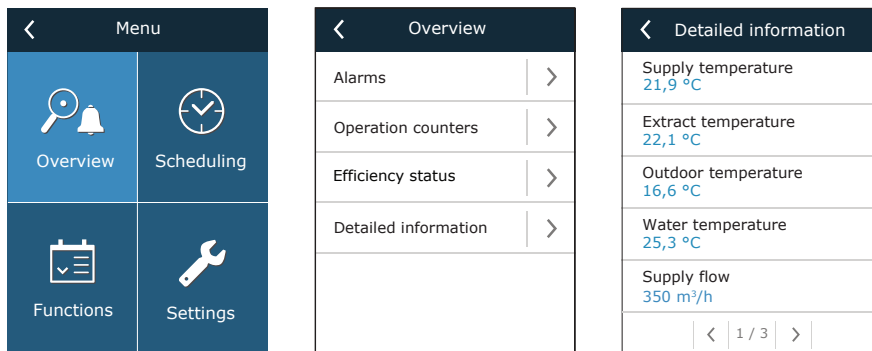
|  |                            |  |   |  |                           |
|--|----------------------------|--|---|--|---------------------------|
|  | Supply air temperature     |  | Fan operation   |  | Air humidifier operation  |
|  | Extract air temperature    |  | Air flow increasing by activated function (see chapter Functions) |  | Summer night cooling mode |
|  | Supply air volume          |  | Air flow decreasing by activated function (see chapter Functions) |  | Weekly operation mode     |
|  | Extract air volume         |  | Energy recovery operation   |  | Holiday operation mode    |
|  | Supply air humidity        |  | Air heater operation  |  | „Override“ mode           |
|  | Extract air humidity       |  | Air cooler operation  |  | Alarm signal              |
|  | Extract (room) air quality |  |   |  |                           |

## 4.1. Parameter overview

The following parameters are displayed in the main window and parameter overview windows: air flow, temperatures, air quality sensor data and energy recovery. Use arrows on the sides of the main screen to browse across parameter windows.



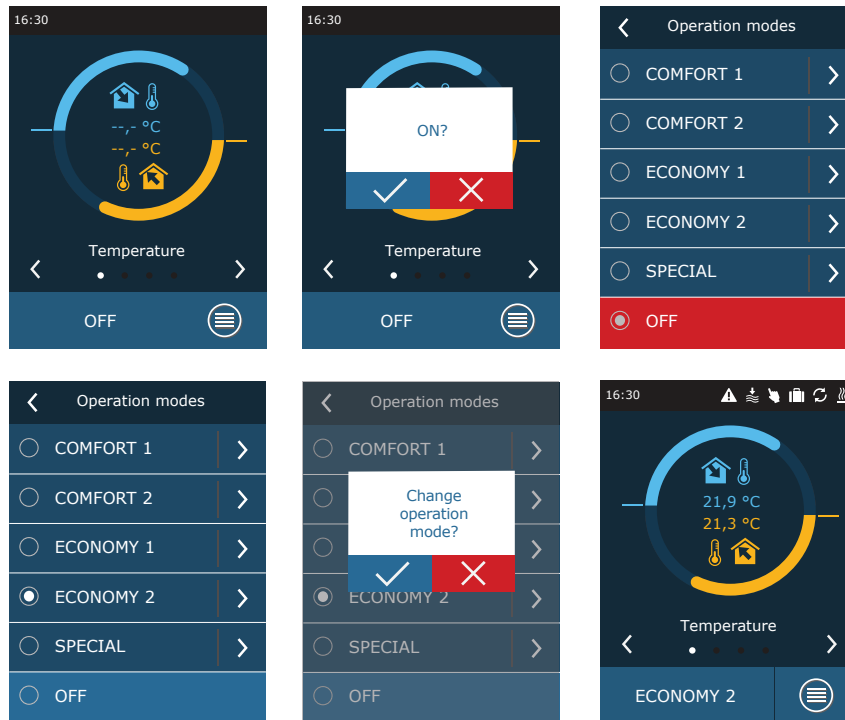
For more parameters see “Detailed information” screen (Menu → Overview → Detailed information).



## 4.2. Turning on and selection of ventilation modes

To start an air handling unit or to change a ventilation mode:

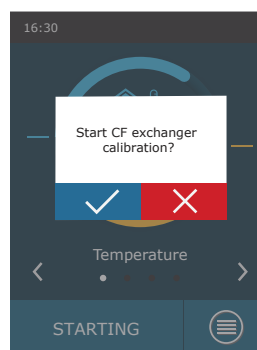
1. Press the ventilation mode selection button.
2. Confirm the message if you want to run the device in the previous mode (if the unit is stopped).
3. Cancel the message if you want to select another operating mode or you do not remember which mode was activated previously.
4. Select a desired ventilation mode.
5. Press the return key and confirm the message that appears.



During the first minute of starting the unit, the unit automation checks the settings, automation components and opens air dampers. Later, a signal is released to fans and a heat exchanger, and the unit starts operating at a selected ventilation mode.

### 4.2.1. Calibration of the CF heat exchanger during commissioning<sup>1</sup>

The first time you turn on your CF air handling unit, you will have to perform calibration of a heat exchanger (if not performed during installation). This calibration is necessary for proper operation of the antifreeze prevention function (for more information about calibration see Chapter "Efficiency Status").

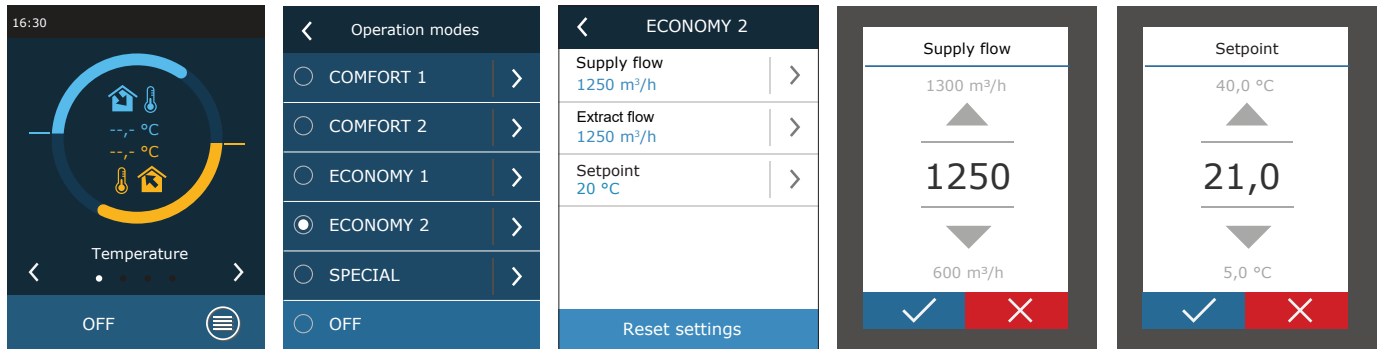


<sup>1</sup> Only in CF units.

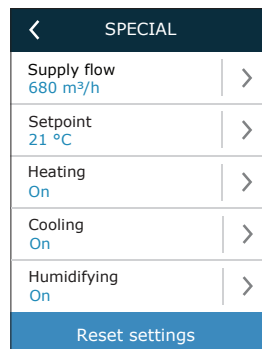
### 4.3. Setting parameters of ventilation modes

To change the ventilation mode settings:

1. Press the ventilation mode selection button.
2. Press "Change settings" symbol next to the parameter to be changed.
3. Press a parameter you want to change.
4. Use the arrows to select a desired value and press to confirm.
5. Press the return icon at the top of the screen to return to the home screen.



SPECIAL ventilation mode may also be used to disable heating/cooling and other functions. This saves energy when temperature and other ventilation parameters are less important (for example, at night, when the building is empty, when cooling devices can be turned off and will not be activated even when temperature exceeds the desired temperature during the day).





## 4.4. Scheduling window and ventilation schedule settings

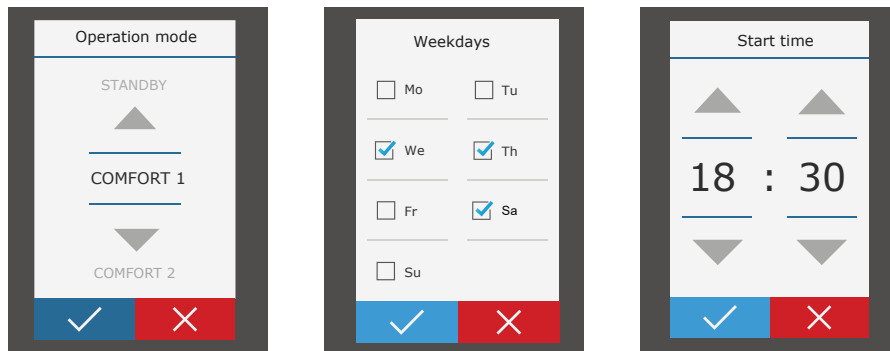
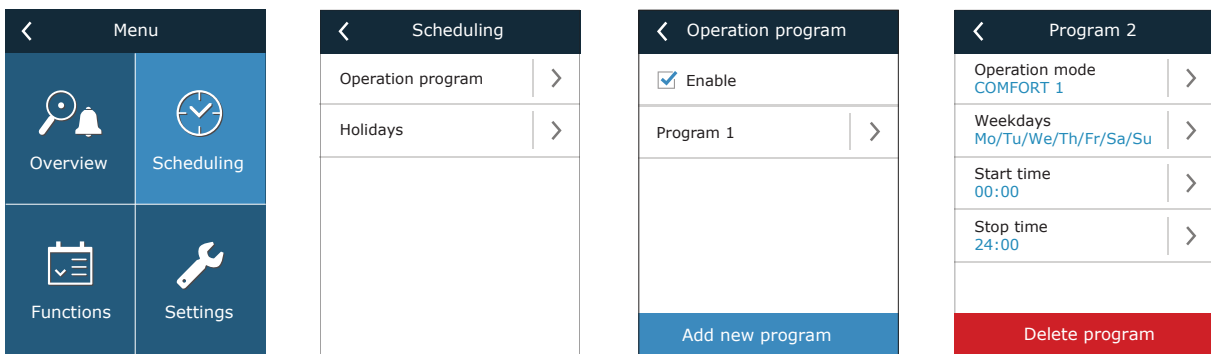
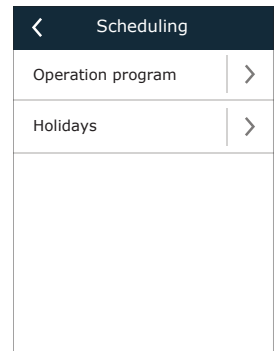
In menu item “Scheduling” you can create your own ventilation schedules so that the ventilation intensity or temperature settings change automatically.

### • Operation program

You can set up to twenty operating programs. You can assign a desired operating mode, day of the week and time interval for every program.

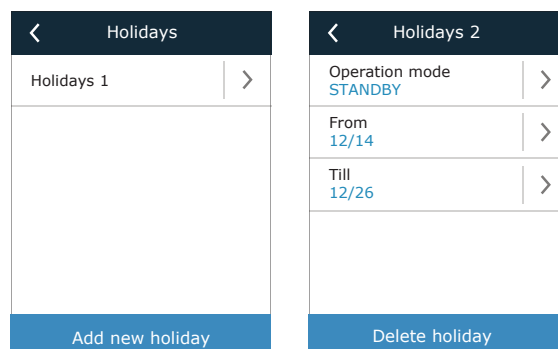
To create a weekly ventilation schedule:

1. Press “Scheduling” key in the menu window.
2. Press “Operation program”.
3. Press “Add new program” key at the bottom.
4. Select a desired ventilation mode. If you don’t want your unit to run at a specified time, select standby mode<sup>1</sup>.
5. Select days of the week for the program to run.
6. Set the start and end time for the program.
7. Add additional programs, if needed (up to 20 programs).
8. Once the schedule is created, activate it by checking “Enable” box and returning to the main window.



### • Holidays

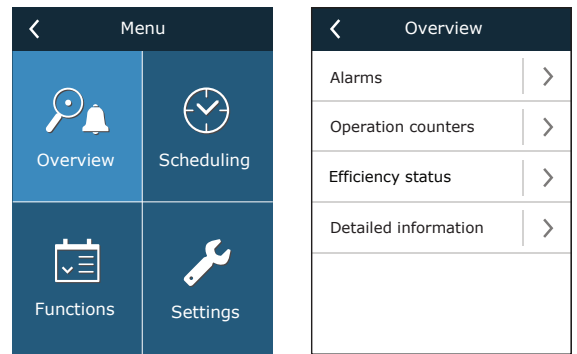
Here you can select a holiday program, set dates for the unit to run in a selected mode or to be stopped (e.g., stopping the air handling unit in the office during Christmas holidays).



<sup>1</sup> Standby mode is optional. The device will only operate at a set time. The unit will automatically stop during unspecified periods.

## 4.5. Overview window

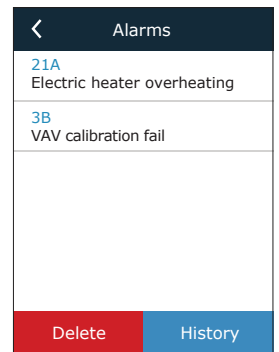
“Overview” screen shows information about the status of the air handling unit and its devices.



- **Alarms**

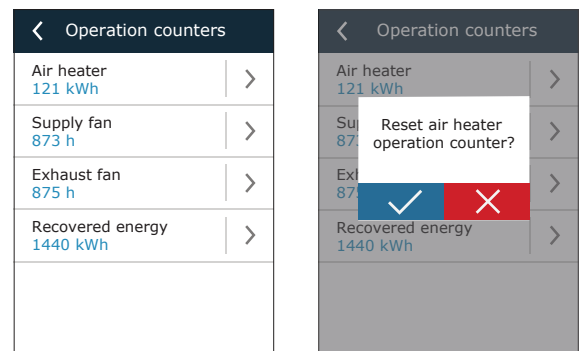
This menu item displays relevant messages with identification codes. “A” at the end of the code means that the error is critical and the unit will be stopped until the fault is rectified. “B” at the end of the code means that the message is informational and the unit will keep running. Once the cause is resolved, delete relevant errors and messages by pressing “Reset”. For more information see Chapter 8. “Troubleshooting”.

Press “History” button to show the last 50 messages along with the date and time they were displayed.



- **Operation counters**

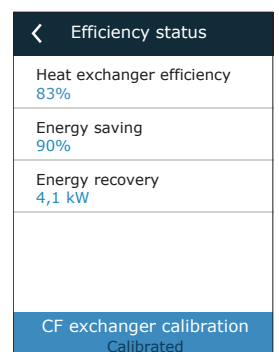
These meters show operating time of individual devices, amount of energy returned and consumed. To reset a meter, press an arrow next to a desired parameter.



- **Efficiency status**

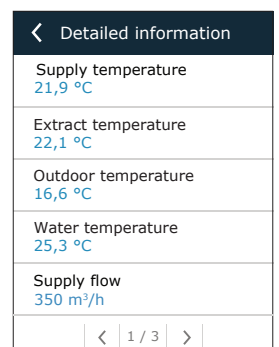
Heat exchanger parameters are displayed in real-time.

In this menu you can also calibrate CF heat exchanger<sup>1</sup>, if not calibrated during the first start-up. If calibration was successful and the display shows “Calibrated”, there is no need to repeat it. During calibration, the unit will run for 10 minutes by changing fan speed and will be measuring pressure inside the unit, therefore, do not open the unit door, do not adjust the duct system or change parameters at that time. To stop calibration, turn off the unit with a remote controller.



- **Detailed information**

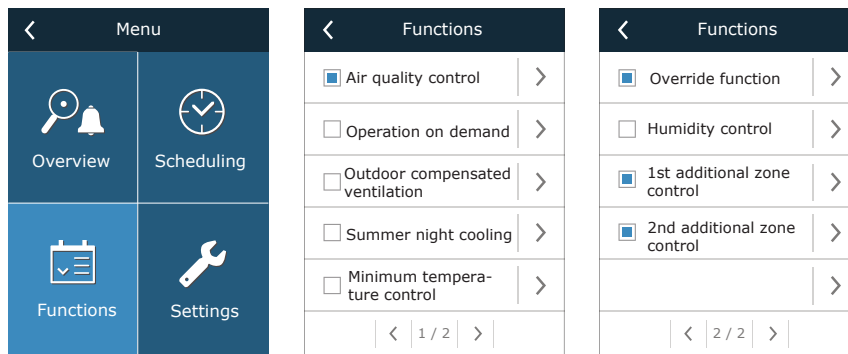
This menu item displays readings of all sensors installed in the unit as well as information on operation of individual devices of the AHU and other detailed data.



<sup>1</sup> Only in CF units.

## 4.6. Functions

In menu item “Functions” you can activate or alter all functions of the unit. Press the function name or an arrow to display the function settings.



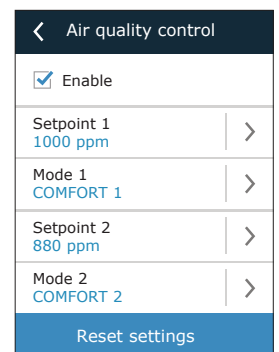
Function status is indicated in a box next to the function name:

- Blank box: function is disabled.
- Blue box: function is working.
- Grey box: function is activated but not working.

In the settings of each function you can activate the function and alter operating conditions.

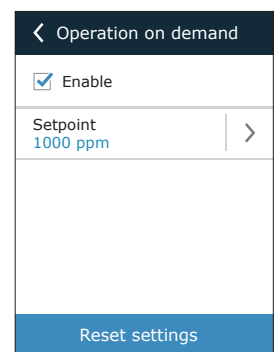
- **Air quality control (AQC)**

Selecting an air quality limit up to which the air handling unit will run during the activated mode and above which the ventilation intensity will be automatically increased. Air quality limit is set for two different ventilation modes during which the function will be used and the desired value will change automatically as the mode changes. If the unit operates in a different ventilation mode than the one set, air quality control function will be disabled automatically.



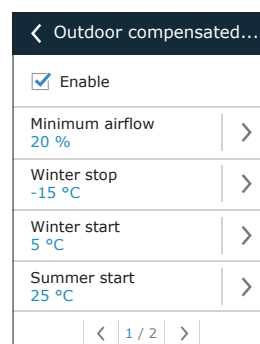
- **Operation on demand (OOD)**

Setting a critical air quality sensor value. The unit starts as soon as this value is exceeded.



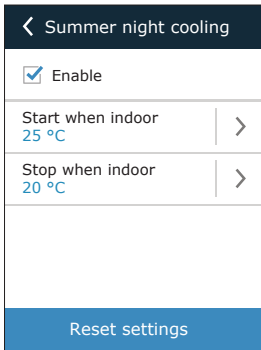
- **Outdoor compensated ventilation (OCV)**

Setting winter and summer outdoor temperature limits for reducing ventilation intensity. When the outdoor temperature is within the range of “Winter compensation start” and “Summer compensation start”, the unit operates in a selected ventilation mode and when outdoor temperature is out of range, fan speed is decreased to “Minimum airflow”.



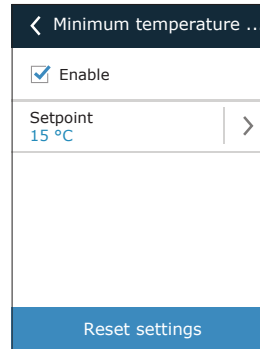
• **Summer night cooling (SNC)**

Setting two indoor temperatures for the function to start running and stop.



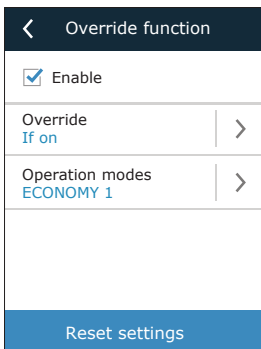
• **Minimum temperature control (MTC)**

Setting a minimum desired supply air temperature.



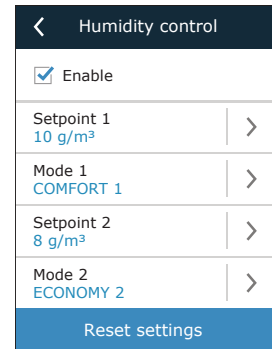
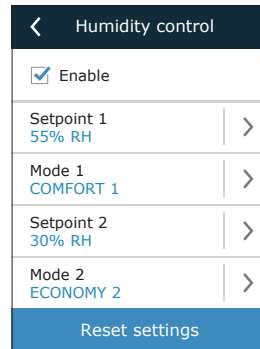
• **Override function (OVR)**

Selecting conditions for activating the function (all the time, only when the unit is running, only when the unit is stopped) and specifying ventilation mode for the unit to run when the function starts. If the "Standby" ventilation mode is selected, the unit will be stopped.



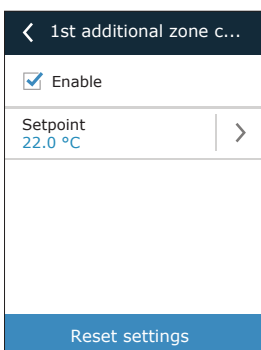
• **Humidity control (HUM)**

Setting a desired relative or absolute humidity level. Humidity level is set for two different ventilation modes during which this function will be used and the desired value will change automatically as the mode changes. If the unit operates in a different ventilation mode than the one set, humidity control function is disabled automatically.



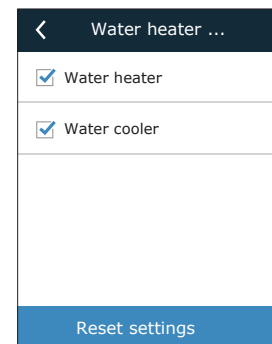
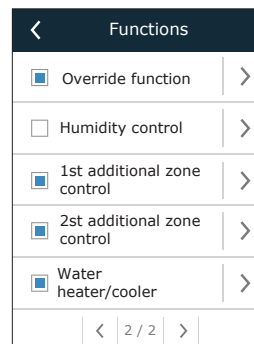
• **Additional zone control (ZN)<sup>1</sup>**

In this window you can set a desired supply air temperature for an individual ventilation zone.



• **Water heater/cooler**

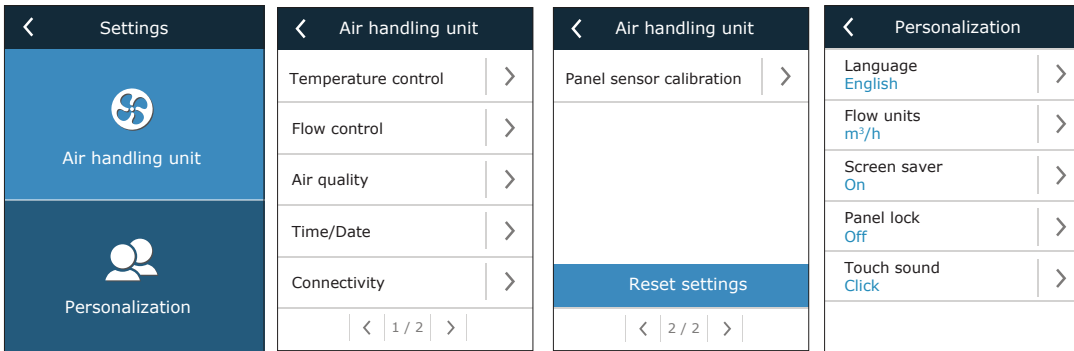
It is possible to block the water heaters and coolers by removing the check mark next to the related setting. In this case, water heaters and coolers will not be used either for the desired temperature or in any functions (for example during dehumidification). However, the water heater's freeze protection will work all the time, and if the water temperature drops below the critical limit, AHU will be stopped.



<sup>1</sup> This function only runs when optional additional zone modules are connected.

## 4.7. Settings

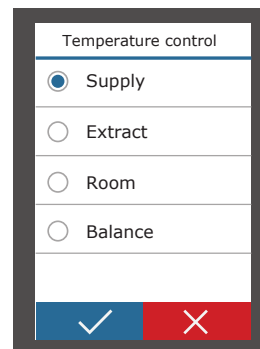
All settings are divided into two groups, covering the main settings of the air handling unit and the user interface.



### 4.7.1. Air handling unit

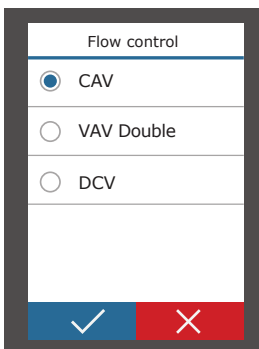
- Temperature control**

The user can select a desired temperature control method (see Chapter "Temperature Control"). The user-set temperature will be maintained during ventilation modes according to the selected control method.



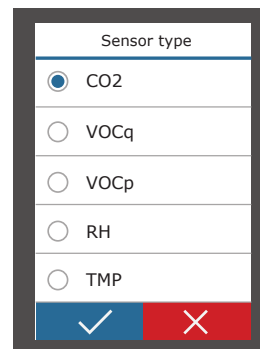
- Flow control**

The user can select a desired air flow control method (see Chapter "Air Flow Control").



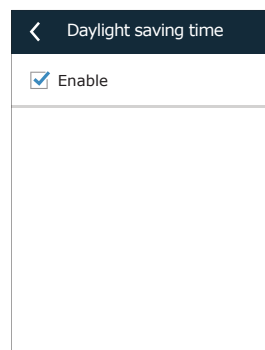
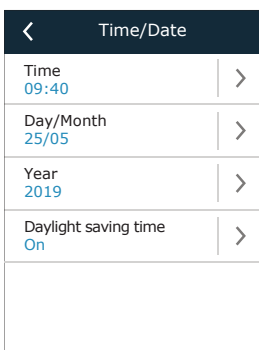
- Air quality**

Selected air quality sensor type is used in AQC, OOD functions.



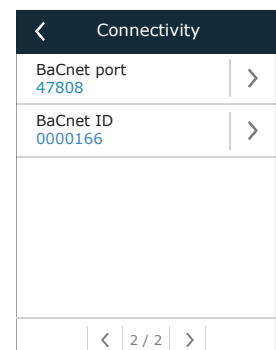
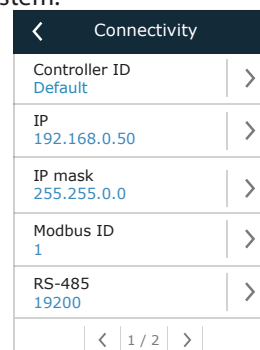
- Time/data**

Time and date settings are used for ventilation by weekly or holiday schedules.



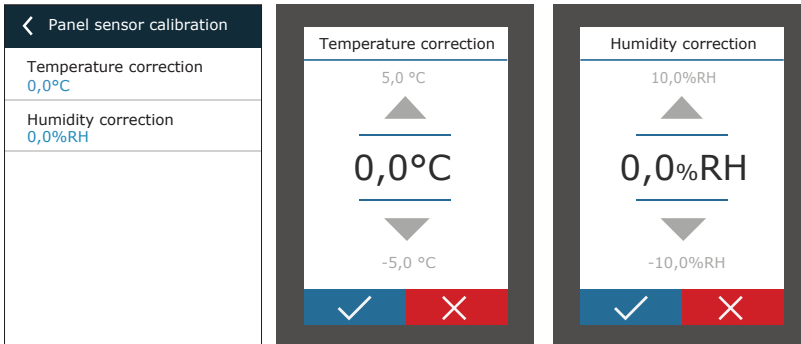
- Connectivity**

Parameters for connecting the air handling unit to a computer network, the Internet or a building management system.



- **Panel sensor calibration**

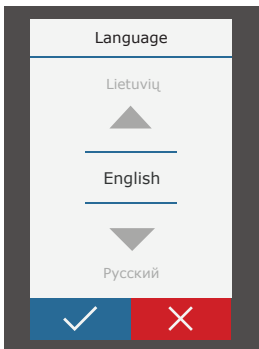
If the temperature and/or relative humidity measured by internal control panel sensors do not match the parameters measured by other devices, the accuracy of the sensors can be adjusted in this menu. The measured temperature may be adjusted within  $\pm 5\text{ }^{\circ}\text{C}$  and the humidity within  $\pm 10\%$  range.



#### 4.7.2. Customization

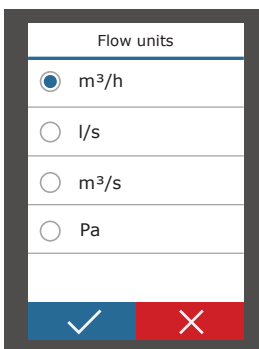
- **Language**

Selecting language of the user interface.



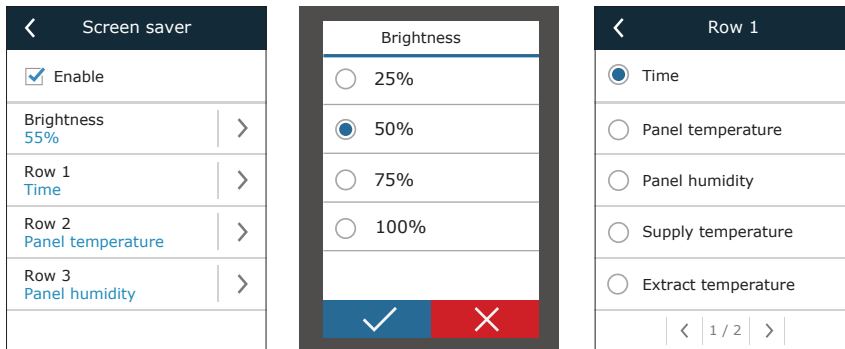
- **Flow units**

Selecting measurement units for air flow measurement. "Pa" can only be selected if the VAV flow control type is enabled.



• **Screen saver**

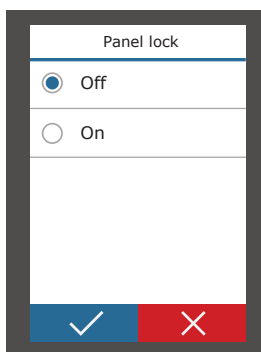
Screen saver is activated after 1 minute of inactivity on the control panel. In this menu the user can enable/disable a screen saver and select parameters to be displayed on screen.



• **Panel lock**

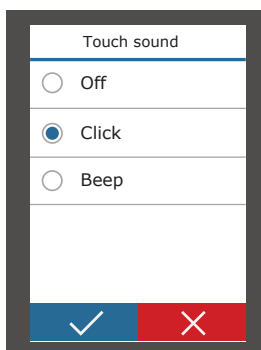
The panel can be locked using a four-digit code. To activate a panel lock, enter your PIN code and press Confirm. When the lock is activated, the panel will lock every time a screen saver appears. You will need to enter the same code again to access the main window or other settings. You must enter a correct PIN code to use the panel. To deactivate the panel lock, enter the same PIN code again in the setup menu.

If you forget your PIN code, you can unlock the panel by connecting to the air handling unit with a computer and resetting factory settings (see Chapter “Control and settings. Computer”).



• **Touch sounds**

You can turn on/off touch sounds. Two types of touch sounds are available.



## 5. CONTROL AND SETTINGS. COMPUTER

The unit may be controlled via computer using a web browser. For information on how to connect the unit to an internal network or directly to a computer, see the "Installation Manual".

Enter the device IP address in your web browser (IP address is displayed on the control panel) (see Settings → Air handling unit → Connectivity):



Connect to the user interface: enter the user name **user**, password **user**<sup>1</sup> and press "Login".

Username:  Password:

If the login is successful, the overview window is displayed. The overview window contains a simplified diagram<sup>2</sup> and information about operation of the unit. You can also turn your AHU on/off in this window.

Setting windows

Simplified functional diagram of the unit

ON/OFF button

Current status of the unit

Currently running functions

Status of messages and errors

### 5.1. Modes

In this menu item, the user can alter the ventilation mode, flow and temperature control settings. Press the "Save" button for the changes to take effect.

▶ OPERATION MODES  
▶ FLOW CONTROL MODE  
▶ TEMPERATURE CONTROL MODE

<sup>1</sup> If You forgot a changed password, it can be reset to the initial "user" from the control panel (Settings→Air handling unit→Reset settings).

<sup>2</sup> Displayed unit diagram depends on the unit type and ordered components.



### 5.1.1. Operation modes

In this menu item the user can select one of the five ventilation modes for the unit (see Chapter 2.1 “Ventilation Modes”). Selecting the “Program” mode:

**▼ OPERATION MODES**

|                |          |
|----------------|----------|
| Mode selection | Comfort1 |
|                | Comfort2 |
|                | Economy1 |
|                | Economy2 |
|                | Special  |
|                | Program  |

You can select air volume (for supplied and extracted air separately) and desired temperature for each ventilation mode. Air volume is set in the units specified in the user interface settings.

**Comfort1**

|              |      |      |
|--------------|------|------|
| Supply flow  | 600  | m³/h |
| Extract flow | 600  | m³/h |
| Setpoint     | 21.0 | °C   |

“Special” ventilation mode may also be used to block heating/cooling signals and disable humidification functions. To disable a function, uncheck a box next to the setting.

**Special**

|              |                                     |      |
|--------------|-------------------------------------|------|
| Supply flow  | 1200                                | m³/h |
| Extract flow | 1200                                | m³/h |
| Setpoint     | 21.0                                | °C   |
| Heating      | <input checked="" type="checkbox"/> |      |
| Cooling      | <input checked="" type="checkbox"/> |      |
| Humidifying  | <input checked="" type="checkbox"/> |      |

### 5.1.2. Flow control modes

Selecting an air flow control method for controlling fan speed (see Chapter 2.2 “Air Flow Control”).

**▼ FLOW CONTROL MODE**

|      |     |
|------|-----|
| Mode | CAV |
|      | VAV |
|      | DCV |

### 5.1.3. Temperature control modes

Selecting a temperature control method for controlling heating/cooling devices (see Chapter 2.3 “Temperature Control”).

▼ **TEMPERATURE CONTROL MODE**

|      |          |
|------|----------|
| Mode | Supply ▼ |
|      | Extract  |
|      | Room     |
|      | Balance  |

## 5.2. Functions

Here you can enable/disable ventilation functions and change their settings.

### 5.2.1. Air quality control (AQC)

Selecting air quality limit up to which the air handling unit will operate in a selected mode and above which the ventilation intensity will be automatically increased. Air quality limit is set for two different ventilation modes during which the function will be used and the desired value will change automatically as the mode changes. If the unit operates in a different ventilation mode than the one set, air quality control function will be disabled automatically.

▼ **AIR QUALITY CONTROL (AQC)**

|            |                                     |
|------------|-------------------------------------|
| Enable     | <input checked="" type="checkbox"/> |
| Setpoint 1 | 800 ppm                             |
| Mode 1     | Economy1 ▼                          |
| Setpoint 2 | 1200 ppm                            |
| Mode 2     | Comfort1 ▼                          |

### 5.2.2. Outdoor compensated ventilation (OCV)

Setting winter and summer outdoor temperature limits for reducing ventilation intensity. When the outdoor temperature is within the range of “Winter compensation start” and “Summer compensation start”, the unit operates in a selected ventilation mode and when outdoor temperature is out of range, fan speed is decreased to “Minimum airflow”.

▼ **OUTDOOR COMPENSATED VENTILATION (OCV)**

|                           |                                     |
|---------------------------|-------------------------------------|
| Enable                    | <input checked="" type="checkbox"/> |
| Minimum airflow           | 20 %                                |
| Winter compensation stop  | -40.0 °C                            |
| Winter compensation start | 0.0 °C                              |
| Summer compensation start | 20.0 °C                             |
| Summer compensation stop  | 50.0 °C                             |

### 5.2.3. Minimum temperature control (MTC)

Setting a minimum desired supply air temperature.

▼ **MIN. TEMPERATURE CONTROL (MTC)**

|          |                                     |
|----------|-------------------------------------|
| Enable   | <input checked="" type="checkbox"/> |
| Setpoint | 18.0 °C                             |

### 5.2.4. Summer night cooling (SNC)

Setting two indoor temperatures for the function to start running and stop.

▼ **SUMMER NIGHT COOLING (SNC)**

|                   |                                     |
|-------------------|-------------------------------------|
| Enable            | <input checked="" type="checkbox"/> |
| Start when indoor | 25.0 °C                             |
| Stop when indoor  | 25.0 °C                             |

### 5.2.5. Override function (OVR)

Selecting conditions for activating the function (all the time, only when the unit is running, only when the unit is stopped) and specifying ventilation mode for the unit to run when the function starts. If the “Standby” ventilation mode is selected, the unit will be stopped.

▼ **OVERRIDE FUNCTION (OVR)**

|          |                                     |
|----------|-------------------------------------|
| Enable   | <input checked="" type="checkbox"/> |
| Override | All time ▾                          |
| Mode     | Comfort2 ▾                          |

### 5.2.6. Operation on demand (OOD)

Setting a critical air quality sensor value. The unit starts as soon as this value is exceeded.

▼ **OPERATION ON DEMAND (OOD)**

|          |                                     |
|----------|-------------------------------------|
| Enable   | <input checked="" type="checkbox"/> |
| Setpoint | 800 ppm                             |

### 5.2.7. Humidity control (HUM)<sup>1</sup>

Setting a desired relative or absolute humidity level. Humidity level is set for two different ventilation modes during which this function will be used and the desired value will change automatically as the mode changes. If the unit operates in a different ventilation mode than the one set, humidity control function is disabled automatically.

▼ HUMIDITY CONTROL (HUM)

|            |                                     |
|------------|-------------------------------------|
| Enable     | <input checked="" type="checkbox"/> |
| Setpoint 1 | 50 %RH                              |
| Mode 1     | Comfort1 ▾                          |
| Setpoint 2 | 60 %RH                              |
| Mode 2     | Comfort2 ▾                          |

▼ HUMIDITY CONTROL (HUM)

|            |                                     |
|------------|-------------------------------------|
| Enable     | <input checked="" type="checkbox"/> |
| Setpoint 1 | 10 g/m <sup>3</sup>                 |
| Mode 1     | Comfort1 ▾                          |
| Setpoint 2 | 8 g/m <sup>3</sup>                  |
| Mode 2     | Comfort2 ▾                          |

### 5.2.8. Additional zone control (ZN)<sup>2</sup>

Setting a desired supply air temperature for an individual ventilation zone. You can also monitor temperature of air supplied to the additional zone as well as the heating/cooling signals.

▼ 1ST ADDITIONAL ZONE CONTROL (ZN1)

|                    |                                     |
|--------------------|-------------------------------------|
| Enable             | <input checked="" type="checkbox"/> |
| Setpoint           | 21.0 °C                             |
| Supply temperature | 0.0 °C                              |
| Heating            | 0.0 %                               |
| Cooling            | 0.0 %                               |

<sup>1</sup> Displayed only when this function is pre-ordered.

<sup>2</sup> This function only works when optional additional zone modules are connected.

### 5.2.9. Water heater/cooler

It is possible to block the water heaters and coolers by removing the check mark next to the related setting. In this case, water heaters and coolers will not be used either for the desired temperature or in any functions (for example during dehumidification). However, the water heater's freeze protection will work all the time, and if the water temperature drops below the critical limit, AHU will be stopped.

▼ **WATER HEATER/COOLER**

|              |                                     |
|--------------|-------------------------------------|
| Water heater | <input checked="" type="checkbox"/> |
| Water cooler | <input checked="" type="checkbox"/> |

## 5.3. Alarms/Status

This menu item shows information about the air handling unit and its assemblies.

- ▶ **ACTUAL ALARMS**
- ▶ **ALARM HISTORY**
- ▶ **OPERATION COUNTERS**
- ▶ **EFFICIENCY STATUS**
- ▶ **VAV STATUS**
- ▶ **CONTROLLER STATUS**

### 5.3.1. Actual alarms

This menu item displays relevant messages with identification codes. "A" at the end of the code means that the error is critical and the unit will be stopped until the fault is rectified. "B" at the end of the code means that the message is informational and the unit will keep running. Once the cause is resolved, delete relevant errors and messages by pressing "Reset". For more information see Chapter 8. "Troubleshooting".

▼ **ACTUAL ALARMS**

|                               |
|-------------------------------|
| 21A: Electric heater overheat |
| 3B: VAV calibration fail      |
|                               |
|                               |
| Reset                         |

### 5.3.2. Alarm history

Displays the last 50 messages and errors, along with the date and time they occurred.

▼ **ALARM HISTORY**

|            |          |                               |
|------------|----------|-------------------------------|
| 30-03-2019 | 18:44:03 | 5B: Change extract air filter |
| 27-03-2019 | 10:10:09 | 4B: Change outdoor air filter |
| 26-03-2019 | 16:25:07 | 1B: Low supply air flow       |

### 5.3.3. Operation counters

Depending on the configuration of the unit, operating meters display operating time of various units and the amount of energy returned by the heat exchanger.

| ▼ OPERATION COUNTERS  |          |       |
|-----------------------|----------|-------|
| Air heater operation  | 151 h    | Reset |
| Supply fan operation  | 366 h    | Reset |
| Exhaust fan operation | 363 h    | Reset |
| Recovered energy      | 2227 kWh | Reset |

### 5.3.4. Efficiency status

| ▼ EFFICIENCY STATUS               |            |     |
|-----------------------------------|------------|-----|
| Heat exchanger thermal efficiency | ---        |     |
| Heat exchanger recovery           | 8.6 W      |     |
| Thermal energy saving             | 100 %      |     |
| CF exchanger calibration          | Calibrated | Run |

In this menu you can also calibrate CF heat exchanger<sup>1</sup>, if not calibrated during the first start-up. If calibration was successful and the display shows “Calibrated”, there is no need to repeat it. During calibration, the unit will run for 10 minutes by changing fan speed and will be measuring pressure inside the unit, therefore, do not open the unit door, do not adjust the duct system or change parameters at that time. To stop calibration, turn off the unit with a remote controller or in the Overview screen.

Start CF exchanger calibration?

Ok
Cancel

### 5.3.5. VAV status

This window is intended for VAV mode calibration. Calibration must be performed by a qualified specialist in accordance with a separate “VAV Function Installation Instruction”.

| ▼ VAV STATUS    |        |
|-----------------|--------|
| VAV mode        | Double |
| VAV calibration | Run    |

<sup>1</sup> Only in CF units.

### 5.3.6. Controller status

Overview of the controller and control panel software versions.

| ▼ CONTROLLER STATUS      |   |
|--------------------------|---|
| Main module firmware     | v2.340                                  |
| 1st zone module firmware | v1.200                                  |
| Control panel firmware   | v2.223                                  |
| Log                      | <input type="button" value="Download"/> |

For detailed performance analysis, you may download a device logbook (Log) which contains weekly operation data. To open a logbook you will need a "Log plotter" app that you can download on the "Komfovent" website. This data can be useful in the event of a failure and may facilitate repair procedures, therefore, we recommend downloading an operation logbook and handing it over to the authorised service personnel.

## 5.4. Scheduling

In this menu the user can set weekly and holiday schedules.

| ► OPERATION PROGRAM                 |  |
|-------------------------------------|--|
| ► HOLIDAYS                          |  |
| <input type="button" value="Save"/> |  |

### 5.4.1. Operation program

You can set up to twenty operating programs. You can assign a desired operating mode, day of the week and time interval for every program. When the "Program" mode is selected in the ventilation mode setup screen, the air handling unit will only operate at a specified time. There is no need to set periods for stopping the unit.

| ▼ OPERATION PROGRAM                 |                                     |                                     |                                     |                                     |                                     |                                     |       |      |      |      |   |  |
|-------------------------------------|-------------------------------------|-------------------------------------|-------------------------------------|-------------------------------------|-------------------------------------|-------------------------------------|-------|------|------|------|---|--|
| Mo                                  | Tu                                  | We                                  | Th                                  | Fr                                  | Sa                                  | Su                                  | Start |      | Stop |      | Mode                                      |  |
| <input checked="" type="checkbox"/> | <input checked="" type="checkbox"/> | <input checked="" type="checkbox"/> | <input checked="" type="checkbox"/> | <input checked="" type="checkbox"/> | <input type="checkbox"/>            | <input type="checkbox"/>            | 06    | : 00 | 08   | : 00 | Comfort1 <input type="button" value="v"/> |  |
| <input checked="" type="checkbox"/> | <input checked="" type="checkbox"/> | <input checked="" type="checkbox"/> | <input checked="" type="checkbox"/> | <input checked="" type="checkbox"/> | <input type="checkbox"/>            | <input type="checkbox"/>            | 08    | : 00 | 17   | : 00 | Economy2 <input type="button" value="v"/> |  |
| <input checked="" type="checkbox"/> | <input checked="" type="checkbox"/> | <input checked="" type="checkbox"/> | <input checked="" type="checkbox"/> | <input checked="" type="checkbox"/> | <input type="checkbox"/>            | <input type="checkbox"/>            | 17    | : 00 | 24   | : 00 | Special <input type="button" value="v"/>  |  |
| <input type="checkbox"/>            | <input type="checkbox"/>            | <input type="checkbox"/>            | <input type="checkbox"/>            | <input type="checkbox"/>            | <input checked="" type="checkbox"/> | <input checked="" type="checkbox"/> | 00    | : 00 | 24   | : 00 | Comfort2 <input type="button" value="v"/> |  |

## 5.4.2. Holidays

Here you can select a holiday program, to set dates for the unit to run in a selected mode or to be stopped (e.g., stopping the air handling unit in the office every year during Christmas holidays).

▼ **HOLIDAYS**

| Day - Month - Year | Day - Month - Year | Mode      |
|--------------------|--------------------|-----------|
| 24 - 12 - 2019     | - 10 - 01 - 2020   | Special ▾ |
|                    |                    | Standby   |
|                    |                    | Comfort1  |
|                    |                    | Comfort2  |
|                    |                    | Economy1  |
|                    |                    | Economy2  |
|                    |                    | Program   |

## 5.5. Settings

Settings menu is intended for user interface configuration. Here you can set the time, language, measurement units, computer network settings, or change the login password.

► **DATE/TIME**  
 ► **CONNECTIVITY**  
 ► **USER INTERFACE**  
 ► **LOGIN PASSWORD**  
 ► **SETTINGS RESET**

Save

### 5.5.1. Date/time

In this menu item the user can set the time and date of the unit, used for various functions and operation by a weekly schedule. When the "Daylight Saving Time" function is enabled, the clock will automatically switch between summer time and winter time in spring and autumn.

▼ **DATE/TIME**

|                      |                                     |
|----------------------|-------------------------------------|
| Day - Month - Year   | 28 - 06 - 2020                      |
| Time                 | 07 : 49                             |
| Daylight saving time | <input checked="" type="checkbox"/> |



### 5.5.2. Connectivity

Setting IP address, Modbus and BACnet or computer network parameters.

**▼ CONNECTIVITY**

|           |            |   |     |     |   |   |    |
|-----------|------------|---|-----|-----|---|---|----|
| IP        | 192        | . | 168 | .   | 0 | . | 50 |
| IP mask   | 255        | . | 255 | .   | 0 | . | 0  |
| Modbus ID | 1          |   |     |     |   |   |    |
| RS-485    | 19200 baud |   | ▼   | 8E1 |   | ▼ |    |
| Modbus ID | 47808      |   |     |     |   |   |    |
| Modbus ID | 166        |   |     |     |   |   |    |

### 5.5.3. User interface

Here you can select the user interface language (the same language will be used on the control panel), air flow measurement units and the device name that will be displayed in the web browser. If one computer is used to control several air handling units, we recommend naming every unit differently. This will facilitate distinguishing the units.

**▼ USER INTERFACE**

|            |                   |   |
|------------|-------------------|---|
| Language   | English           | ▼ |
| Flow units | m <sup>3</sup> /h |   |
| AHU name   | Komfovent         |   |

### 5.5.4. Log-in password

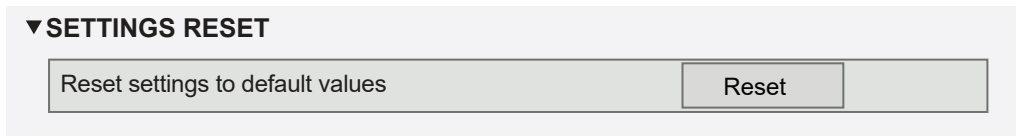
Here you can change your password used to log in to the air handling unit in a web browser. New password must have at least 4 characters. Forgotten password can be restored by resetting AHU settings to factory defaults.

**▼ LOGIN PASSWORD**

|                      |                          |
|----------------------|--------------------------|
| Enter new password   | <input type="password"/> |
| Confirm new password | <input type="password"/> |

### 5.5.5. Restoring factory settings

Click the “Reset” button to undo all user-performed changes (desired temperature, air volume, function settings, weekly schedule, etc.) and to restore factory settings (the user interface language will be restored to English).



A factory reset also removes a PIN code. If you have locked the panel and forgot the PIN code, a factory reset will restore the PIN code to 0000 and then you will be able to unlock it.



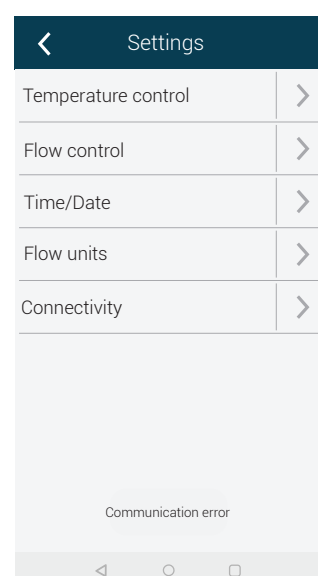
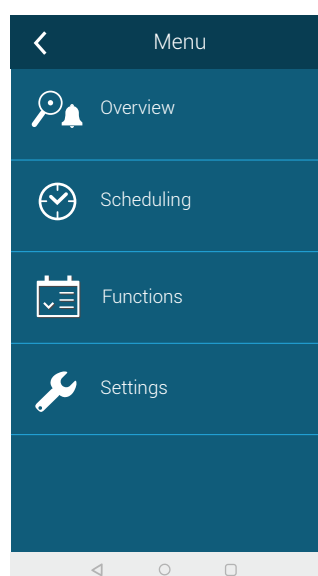
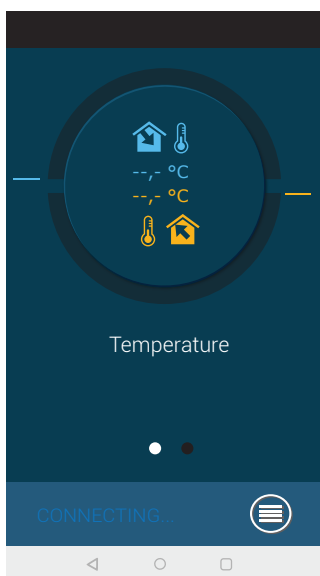
**Write down the computer network parameters before restoring factory settings (see Menu “Connectivity”), as these settings will also be reset and communication with the air handling unit may be lost until re-configuration.**

## 6. CONTROL VIA A SMARTPHONE

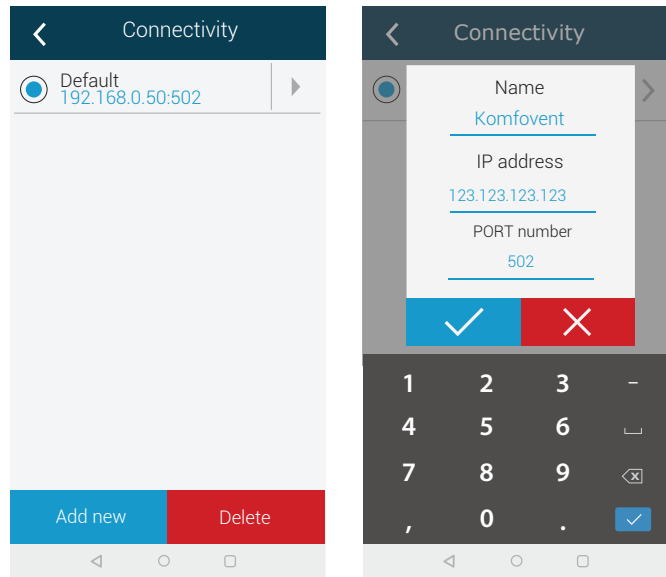
“Komfovent C5” app is necessary for controlling your air handling unit via your mobile phone. The unit can be controlled in a local network via mobile phone. Controlling the air handling unit with your mobile device is almost the same as with a C5.1 control panel. Screens and settings are so similar that you can follow the chapter “C5.1 Control Panel” to perform necessary changes or settings. The app language is automatically selected according to the language used in your mobile device and can differ from the language set in your air handling unit.

Connect the unit to a network router. The unit IP address must be on the same gateway as the network router. If the default IP address is incorrect, set the IP address and IP mask (see the “Connectivity” menu). Connect your mobile device to the internal network via Wi-Fi and run the “Komfovent C5” app. Launched for the first time, “Komfovent C5” app will attempt connecting to default IP address (192.168.0.50) (if not changed); after a while a home screen for the air handling unit will appear on the mobile phone screen. If you changed the IP address according to the router settings, “Communication error” message will be displayed. In this case connection settings must be changed:

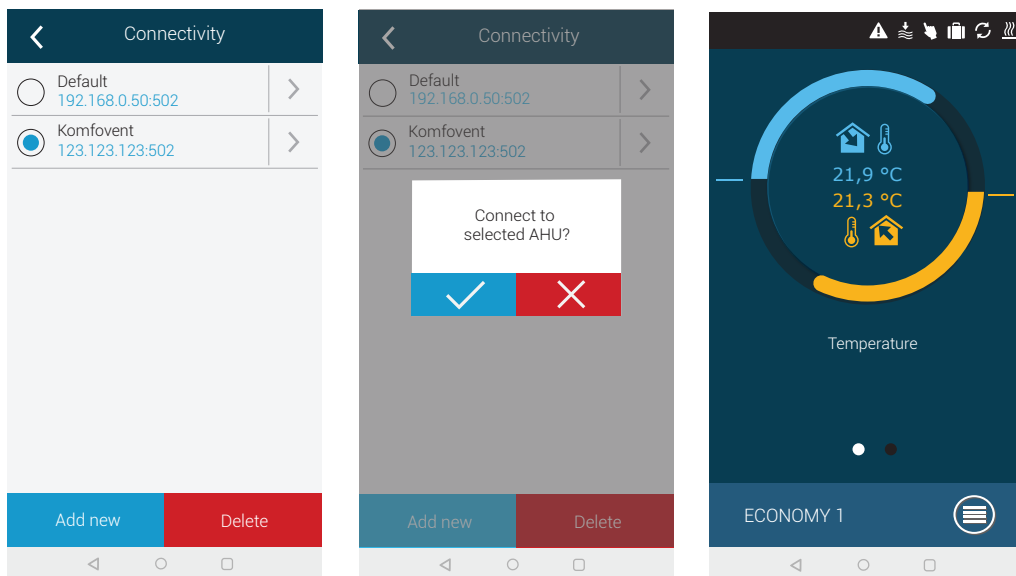
- Press Menu → Settings → Connectivity.



- Press “Add new” at the bottom.
- Enter your device name and new IP address.
- Enter port number 502 and confirm settings.



- Select a row with newly entered settings and press the return button.
- When the app asks you if you want to connect to the selected unit, confirm the message.
- Once connected to the unit, the main screen and current status of the unit will be displayed on the app.



## 7. PERIODIC MAINTENANCE

For proper operation of the air handling unit, it should be periodically inspected, the air filters replaced in due time and the interior of the unit cleaned. Some of the maintenance works can be performed by the user and others only by a qualified specialist.



- Before starting any tasks, make sure that the unit is unplugged from the mains.
- Use caution when performing works near internal or external heaters as their surfaces may be hot.
- Remove all foreign objects and tools from the unit.
- Use appropriate safety equipment (gloves, goggles).
- If you have washed or cleaned any of the components, wait for them to dry completely before starting the unit.

The following table provides recommended regular maintenance intervals for the unit. Actual frequency of maintenance procedures depends on operating conditions, amount of dust and impurities in the supplied air as well as environment in which the unit is installed. Maintenance intervals may be shorter, following the national hygiene norms and specific requirements for ventilation of the premises. Locations of all the mentioned device components and notes indicated in the "Installation Manual".

| Task   | Frequency     |          |          |           |
|--|---------------|----------|----------|-----------|
|  | Commissioning | 3 months | 6 months | 12 months |
| <b>7.1. Housing</b>                          |               |          |          |           |
| Mechanical damage                            | X             |          |          | X         |
| Air-tightness and gaskets of the sections    | X             |          |          | X         |
| Horizontality of the sections                | X             |          |          | X         |
| Air-tightness and gaskets of doors and locks | X             |          |          | X         |
| Air damper operation                         | X             |          | X        |           |
| Condensate drainage                          | X             |          | X        |           |
| Cleaning of drip trays                       |               |          | X        |           |
| <b>7.2. Filters</b>                          |               |          |          |           |
| Visual inspection of filters                 | X             | X        |          |           |
| Inspection of filter pressure relays         | X             | X        |          |           |
| Filter replacement                           |               |          | X        |           |
| <b>7.3. Fans</b>                             |               |          |          |           |
| Extraneous noise and vibrations              | X             |          | X        |           |
| Fan operation, speed adjustment              | X             |          | X        |           |
| Cleaning of the impeller                     |               |          |          | X         |
| Motor overheat protection                    | X             |          | X        |           |
| <b>7.4. Rotary heat exchanger</b>            |               |          |          |           |
| Belt inspection                              | X             |          | X        |           |
| Motor operation                              | X             |          | X        |           |
| Drum brushes and seals                       |               |          |          | X         |
| Free rotation and bearings of the drum       |               |          | X        |           |
| Drum cleaning                                |               |          |          | X         |
| <b>7.5. Counter-flow heat exchanger</b>      |               |          |          |           |
| Air bypass valve operation                   | X             |          | X        |           |
| Tightness and gaskets of the heat exchanger  |               |          |          | X         |
| <b>7.6. Water heater/cooler</b>              |               |          |          |           |
| Fluid leakage                                | X             |          | X        |           |
| Operation of valves, gears, pumps            | X             |          | X        |           |

| Task   | Frequency     |          |          |           |
|--|---------------|----------|----------|-----------|
|  | Commissioning | 3 months | 6 months | 12 months |
| Frost protection                             | X             |          | X        |           |
| Cleaning of the heat exchanger               |               |          |          | X         |
| <b>7.7. Direct evaporation cooler/heater</b> |               |          |          |           |
| Refrigerant leak                             | X             |          | X        |           |
| Cleaning of the heat exchanger               |               |          |          | X         |
| Operation of an external unit                | X             |          | X        |           |
| <b>7.8. Electrical heater</b>                |               |          |          |           |
| Wiring                                       | X             |          | X        |           |
| Operation of overheat protection             | X             | X        |          |           |
| Cleaning of heating elements                 |               |          |          | X         |

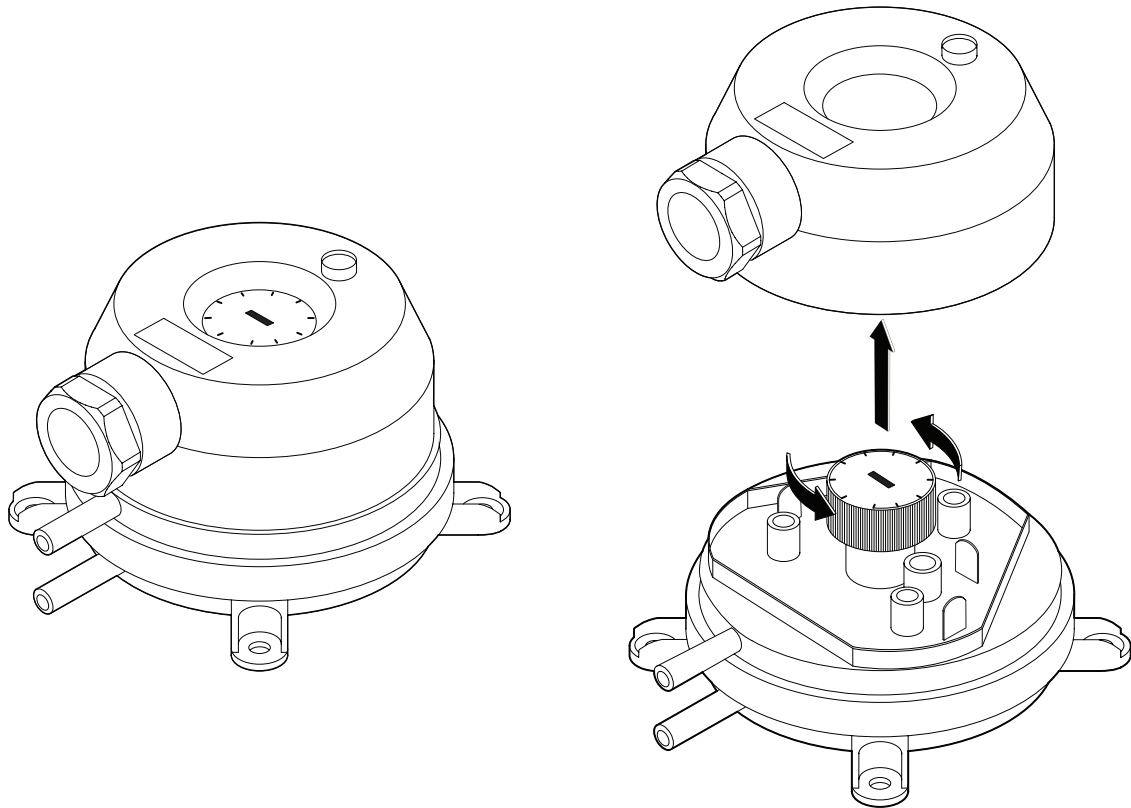
The inside of the air handling unit can be cleaned with a vacuum cleaner and/or a damp cloth. When cleaning, prevent water from entering electrical components of the unit. Make sure all surfaces are completely dry before starting the unit.

## 7.1. Housing

Once the unit is installed (and periodically) check whether there are no foreign objects, debris or tools inside the unit. Inner and outer surfaces shall be cleaned with a damp cloth or a vacuum cleaner. Also check the housing for mechanical damage or signs of corrosion which could affect normal operation of the unit. As building stability may change over time (e.g., settling of foundations), regular unit horizontality checks using a level gauge are recommended; levelling shall be performed if needed. Deviations must not exceed 0.3mm for 1m in the longitudinal direction and 0.5mm for 1m in the transverse direction; otherwise, sections may warp and loosen their connections. Check the unit doors for tightness and if all gaskets or sealant joints are intact. Replace gaskets and reseal joints, if needed. Inspect air collection/exhaust dampers and grilles. Remove accumulated dirt; check dampers for proper opening and tight closing. Check operation of electric actuators and wiring contacts of dampers. Check whether condensate is freely removed from drip trays; check siphons for proper operation; check drainage pipeline components for damage/blockage. If the unit is equipped with drip trays, regularly clean any dirt from drip trays.

## 7.2. Filters

Filter contamination is monitored by integrated pressure relays. These relays are set for a given differential pressure, depending on the filter type. When filter is contaminated, an error message is displayed on a control panel or a computer.



**Fig. 2.** Pressure relay

Check if filters are not damaged, torn or dampened. Filter replacement intervals depend on the environment as well as time of year, for example, during spring and summer filters may be contaminated with pollen, pubescence or insects, therefore replacement intervals are shorter. Replace filters if they are visibly dirty even though it is not time yet and a filter change message is not displayed yet. Contaminated filters increase pressure loss of the unit, reduce purification efficiency and increase power consumption. Once the filters are removed, clean all dirt accumulated on the walls of the unit.

Filters are removed/inserted one by one (number of filters depends on the unit size). For some filter sizes an additional sealing gasket must be attached to the frame edge to ensure air tight construction. If the unit is fitted with pocket filters, these filters are installed in a special filter clamping device. To remove such filters, pull handles at the top and bottom of the filter backwards to release a filter clamping device (see Annex 1 "Filter Replacement"). Once the filters are replaced, make sure to properly fix the filter clamping device so it tightly presses the filters to the gaskets.



**When inserting filters, make sure that their pockets<sup>1</sup> are upright, filter frames are tightly seated and gaskets are intact.**

In case filters from another manufacturer or filters of other filtration class is used instead of factory-fitted filters, pressure relay range shall be adjusted after filter replacement. Pressure relays are adjusted by removing the top cover and rotating the handle to the required differential pressure limit (see Fig. 2). As soon as the differential pressure reaches the set limit, filter contamination message is displayed.

Once the filters are replaced, clear the contaminated filter message on a control panel or computer.

<sup>1</sup> In units with pocket filters.

### 7.3. Fans

Check whether fans rotate freely without obstructions, extraneous noise and vibrations. Check the fan frame shock absorbers for wear. Replace worn out or damaged components, if needed. Dirt, grease or dust may unbalance the impeller and cause additional vibrations as well as shorten the motor service life. Impeller shall be cleaned with a damp cloth. Motor surfaces shall be cleaned with a dry cloth or a vacuum cleaner. Check motor connecting cables; check for corrosion on contacts; clean contacts with special agents, if needed. Check operation of a motor overheat protection, if installed. Turn on the ventilation device and check whether the fans are rotating to the desired direction and the rotation speed alternates depending on the automation settings.

### 7.4. Rotary heat exchanger

Check whether the rotor drum rotates freely, is not touching any metal parts of the housing, and its bearings are intact.

Check the actuator and motor. Rotary heat exchanger shall rotate at approx. 12rpm. Check the drum brushes for wear. Replace, if needed. Check the drum belt. Worn belt may slide without turning the drum at the proper speed. Worn or torn belts must be replaced.

Air channels of the rotary heat exchanger may be contaminated with grease, oils, limescale and other dirt over time. Heat exchanger drum can be cleaned with compressed air jet (~6 bar) inside the unit. If dirt cannot be removed with compressed air or as provided for in the requirements for ventilation of the building premises, the rotary heat exchanger can be removed from the unit and washed with water.



- When washing, make sure to protect nearby motor and other electrical components against water and detergents.
- Dry the rotor drum before reassembling it.

### 7.5. Counter-flow heat exchanger

Check the bypass valve and actuator for proper operation, proper opening and tight closing. Check differential pressure sensors and tubes of the heat exchanger, if installed. Inspect gaskets and sealed connection joints. Replace gaskets and reseal joints, if needed. Air channels of the heat exchanger may be contaminated with grease, oils, limescale and other dirt over time. It shall be cleaned with compressed air (~6 bar). If dirt cannot be removed with compressed air or as provided for in the requirements for ventilation of the building premises, counter-flow heat exchanger can be cleaned with water. When washing, make sure to protect nearby electrical components, valve actuators or fans against water and detergents. Ensure that water enters condensate trays properly and drains from the unit. If possible, remove the heat exchanger from the air handling unit before washing.

### 7.6. Water heater/cooler

Check for fluid leakage; check for proper operation of a check valve and a pump. Check threaded connections for tightness. Check operation of an antifreeze protection system. Check whether the return water temperature sensor is installed and isolated correctly. Check a capillary thermostat, if installed, for proper operation.

Dirt from the water coil surfaces shall be removed with compressed air. Be careful not to damage the coil lamellas while cleaning.

### 7.7. Direct evaporation cooler/heater (DX)

Check for refrigerant leaks. In a humidity indicator check whether the refrigerant is moisture free; check for sufficient amount of refrigerant. Check operation of the external unit and temperature sensors. Perform regular maintenance works of a direct evaporation cooler/heater in accordance with the manufacturer's documentation.

Dirt from the refrigerant coil surfaces shall be removed with compressed air. Be careful not to damage the coil lamellas while cleaning.

## 7.8. Electrical heater

Check operation of overheat thermostats and automation. Inspect power supply installation, contacts and automatic switches.

Heating tubes of the electrical heater may get contaminated with dust and other dirt that may ignite under excessive heat, therefore they must be cleaned. Tubes must be cleaned with a damp cloth or compressed air. Wait for the tubes to dry completely before turning on the device.

## 8. TROUBLESHOOTING

Device automation continuously monitors the operation of various nodes and function algorithms. If something goes wrong, the device informs you with a message and an audible alarm from a control panel. Messages are divided into critical messages and notifications. Critical messages occur when the device cannot continue operation without intervention of the user or an authorised service representative. Notifications are used to warn the user about possible faults or small discrepancies but they do not stop the device.

In case of a message, perform the following actions:

- Read the message and note its number displayed on screen (control panel, computer, smartphone).
- Stop the unit. If heating/cooling devices were running at that time, after pressing the OFF button they will keep running for a few minutes until their temperature is stabilized.
- When the unit stops, unplug it from the mains.
- Find tips in the "Alarm Table" by the message number.
- If possible, eliminate the cause. If a fault cannot be resolved, contact an authorized service representative.
- After troubleshooting, make sure no foreign objects, debris or tools are left inside the unit, and only then close the unit door.
- Connect the unit to the mains and delete all messages from the message window.
- If a fault is not resolved, depending on its nature, the device may not start at all or start and then stop after a while by displaying a message.

Below is a list of messages and recommended actions to resolve faults. These messages are displayed on the C5.1 control panel, mobile app or a computer. Letter "A" marks critical alarms, letter "B" marks informational messages. If you can't find your fault code in the table, contact an authorized service representative.

| Code   | Message                   | Possible cause   | User's actions  |
|--------|---------------------------|--|---|
| 1B     | Low supply air flow       | <ol style="list-style-type: none"> <li>1. Contaminated air filters.</li> <li>2. Excessive resistance of the air duct system.</li> <li>3. VAV air flow control selected but pressure sensors are not connected.</li> <li>4. Supply air fan not working properly.</li> </ol> | <ol style="list-style-type: none"> <li>1. Check air filters and replace, if needed.</li> <li>2. Check air dampers, air inlet/exhaust openings.</li> <li>3. If VAV air flow control is required, install and connect duct-mounted pressure sensors. If VAV mode is not necessary – select CAV or DCV in the settings.</li> <li>4. Contact authorised service.</li> </ol> |
| 2B     | Low extract air flow      | <ol style="list-style-type: none"> <li>1. Contaminated air filters.</li> <li>2. Excessive resistance of ducts.</li> <li>3. VAV air flow control selected but pressure sensors are not connected.</li> <li>4. Exhaust air fan not working properly.</li> </ol>              | <ol style="list-style-type: none"> <li>1. Check air filters and replace, if needed.</li> <li>2. Check air dampers, air inlet/exhaust openings.</li> <li>3. If VAV air flow control is required, install and connect duct-mounted pressure sensors. If VAV mode is not necessary – select CAV or DCV in the settings.</li> <li>4. Contact authorised service.</li> </ol> |
| 3B     | VAV calibration fail      | Not connected or faulty pressure sensors.  | Check pressure sensors and their measuring range. If a sensor needs to be replaced, contact an authorized service representative.   |
| 4B     | Change outdoor air filter | Contaminated outdoor air filters.  | Replace the air handling unit filters and clear the message.  |
| 5B     | Change extract air filter | Contaminated exhaust air filters.  | Replace the air handling unit filters and clear the message.  |
| 6B-11B | Electric heater off       | <p>Electrical heater temperature has risen above 70 °C, because:</p> <ol style="list-style-type: none"> <li>1. Supply air flow is too low at high heating demand.</li> <li>2. Electric heater malfunctioning.</li> </ol>   | <p>When the heater cools down, it will turn on again automatically.</p> <ol style="list-style-type: none"> <li>1 a. Check air filters and air ducts.</li> <li>1 b. Decrease the desired temperature.</li> <li>1 c. Increase ventilation intensity.</li> </ol> <ol style="list-style-type: none"> <li>2. Contact authorised service.</li> </ol>                          |
| 14B    | Service time              | Time for annual periodic maintenance.  | Clear the message after performing periodic maintenance.  |



| Code       | Message                          | Possible cause  | User's actions   |
|------------|----------------------------------|---|--|
| 95B        | Low heat exchanger efficiency    | 1. Heat exchanger efficiency decreased due to unfavourable temperature or humidity conditions.<br>2. One or two faulty temperature sensors inside the unit.<br>3. Air mixing between different flows. | 1. Message will disappear automatically when the air temperature or humidity changes and efficiency increases.<br>2. Check the readings of the temperature sensors. If a sensor(s) needs to be replaced, contact an authorized service representative.<br>3. Check the unit door for tightness and all gaskets or sealant joints for wear. |
| 112B       | Water pump/coil alarm            | Signal from the water flow sensor or circulation pump received (see "Water flow monitoring function").  | Check if there is enough water in the system and whether the circulation pump and water mixing valves are working.   |
| 113B, 114B | CF exchanger not calibrated      | CF heat exchanger calibration not performed or not successful.  | Check the unit door for tightness, check for obstacles in the duct system and check whether the air handling unit can reach the air volume specified in COMFORT 1 mode. Repeat calibration manually.   |
| 127B       | Service mode                     | Temporary special operating mode that can only be activated by a service specialist.  | If the unit has been previously repaired, contact the person who repaired the unit to make sure that the service mode can be disabled. Service mode is turned off by deleting a message.   |
| 1A, 2A     | Supply air temp. sensor failure  | Not connected or faulty supply air temperature sensor.  | Check whether the sensor is connected. If a sensor needs to be replaced, contact an authorized service representative.   |
| 3A, 4A     | Extract air temp. sensor failure | Not connected or faulty extract air temperature sensor.   | Check whether the sensor is connected. If a sensor needs to be replaced, contact an authorized service representative.   |
| 5A, 6A     | Outdoor air temp. sensor failure | Not connected or faulty outdoor air temperature sensor.   | Check whether the sensor is connected. If a sensor needs to be replaced, contact an authorized service representative.   |
| 7A, 8A     | Exhaust air temp. sensor failure | Not connected or faulty exhaust air temperature sensor.   | Check whether the sensor is connected. If a sensor needs to be replaced, contact an authorized service representative.   |
| 9A, 10A    | Water temp. sensor failure       | Not connected or faulty return water temperature sensor.  | Check whether the sensor is connected. If a sensor needs to be replaced, contact an authorized service representative.   |
| 11A        | Return water temp. low           | Return water temperature of the water heater dropped below the permissible limit.   | Check the condition of a circulation pump and the heating system as well as operation of a mixing valve actuator. Check if hot water is available in the system.   |
| 12A        | Internal fire alarm              | 1. Internal temperature is above 50°C<br>2. Faulty temperature sensor.  | 1. Locate the heat source in the ductwork or unit.<br>2. Contact authorised service.   |
| 13A        | External fire alarm              | A fire alarm received from the building's fire protection system.   | Once fire alarm is resolved, the unit must be started using a control panel, computer or a smartphone.   |
| 14A        | External stop                    | The unit stopped by an external device (button, timer, sensor).   | Once the additional device is stopped, the unit will operate in normal mode.   |
| 15A        | Heat exchanger failure           | 1. Rotary heat exchanger not rotating.<br>2. Air bypass damper of the counter-flow heat exchanger malfunctioning.   | 1. Check for foreign objects or debris preventing rotation of the rotor drum. Check if the rotor belt is not torn.<br>2. Contact authorised service.   |
| 16A        | Heat exchanger icing             | Freezing is possible at low outdoor temperatures and high indoor humidity.  | Check the rotary heat exchanger actuator or counter-flow heat exchanger bypass damper for proper operation. Check if an external pre-heater is working, if used.   |
| 17A        | Low supply air temperature       | 1. Integrated heaters not working.<br>2. Additional heating/cooling devices faulty or installed incorrectly.<br>3. Faulty air temperature sensor.   | 1. Contact authorised service.<br>2. Contact the company that installed or sold additional heating/cooling equipment.<br>3. Contact authorised service.  |

| Code    | Message                         | Possible cause   | User's actions   |
|---------|---------------------------------|--|--|
| 18A     | High supply air temperature     | <ol style="list-style-type: none"> <li>1. Integrated heaters malfunctioning.</li> <li>2. Additional heating/cooling devices malfunctioning or installed incorrectly.</li> <li>3. Faulty air temperature sensor.</li> </ol>   | <ol style="list-style-type: none"> <li>1. Contact authorised service.</li> <li>2. Contact the company that installed or sold additional heating/cooling equipment.</li> <li>3. Contact authorised service.</li> </ol>  |
| 19A     | Low supply air flow             | <ol style="list-style-type: none"> <li>1. Obstacle in the duct system.</li> <li>2. VAV air flow control selected but pressure sensors are not connected.</li> <li>3. Faulty supply air fan.</li> </ol>   | <ol style="list-style-type: none"> <li>1. Check that the air dampers, air intake and exhaust openings are not blocked, check whether the adjustment valves are not completely closed.</li> <li>2. If VAV air flow control is required, install and connect duct-mounted pressure sensors. If VAV mode is not necessary – select CAV or DCV in the settings.</li> <li>3. Contact authorised service.</li> </ol>   |
| 20A     | Low extract air flow            | <ol style="list-style-type: none"> <li>1. Obstacle in the duct system.</li> <li>2. VAV air flow control selected but pressure sensors are not connected.</li> <li>3. Faulty exhaust air fan</li> </ol>   | <ol style="list-style-type: none"> <li>1. Check that the air dampers, air intake and exhaust openings are not blocked, check whether the adjustment valves are not completely closed.</li> <li>2. If VAV air flow control is required, install and connect duct-mounted pressure sensors. If VAV mode is not necessary – select CAV or DCV in the settings.</li> <li>3. Contact authorised service.</li> </ol>   |
| 21A-23A | Electric heater overheat        | <p>Electrical heater temperature has risen above 100°C, because:</p> <ol style="list-style-type: none"> <li>1. Supply air flow too low at high heating demand.</li> <li>2. Power failure during operation of the electric heater; the heater could not cool down.</li> <li>3. Electric heater malfunctioning.</li> </ol> | <ol style="list-style-type: none"> <li>1 a. Check the air duct system, air intake and exhaust dampers, fan operation.</li> <li>1 b. Decrease the desired temperature.</li> <li>1 c. Increase ventilation intensity.</li> </ol> <ol style="list-style-type: none"> <li>2. Check whether the unit is connected to the mains.</li> <li>3. Contact authorised service.</li> </ol> <p>Once the fault is eliminated, reset an overheating protection fuse before restarting the unit. Look for a yellow sticker with the word "Reset" inside the unit that marks an overheating protection fuse.</p> |
| 31A-38A | Temperature sensor failure      | One of the additional zone temperature sensors is faulty or not connected.   | <ol style="list-style-type: none"> <li>1. Check if the sensor is connected. If a sensor needs to be replaced, contact an authorized service representative.</li> <li>2. Check whether the auxiliary temperature zone parameters are configured correctly (see Chapter "Functions" or "Additional zone control C5" of the Instruction Manual).</li> </ol>   |
| 39A,40A | Return water temp. low          | Return water temperature of the additional temperature zone water heater dropped below the permissible limit.  | <ol style="list-style-type: none"> <li>1. Check the condition of a circulation pump and the heating system as well as operation of a heating damper actuator. Check if hot water is in the system.</li> <li>2. Check that the auxiliary temperature zone parameters are configured correctly (see Chapter "Functions" or "Additional zone control C5" of the Instruction Manual)</li> </ol>  |
| 41A,42A | Supply air temp. sensor failure | Not connected or faulty temperature sensor inside the unit, measuring supply air temperature downstream the heat exchanger.  | Check whether the sensor is connected. If a sensor needs to be replaced, contact an authorized service representative.   |
| 43A,44A | External stop                   | The unit stopped by an external device connected to the additional zone module.  | Once the additional device is stopped, the unit will run in a normal mode.   |
| 45A     | Water pump/coil alarm           | Signal from the water flow sensor or circulatory pump received (see "Water flow monitoring function").   | Check if there is enough water in the system and whether the circulation pump and water mixing valves are working.   |
| 46A     | CF exchanger not calibrated     | CF heat exchanger calibration failed, therefore, the heat exchanger is at risk of freezing.  | Check the unit door for tightness, check for obstacles in the duct system and check whether the air handling unit can reach the air volume specified in COMFORT 1 mode. Repeat calibration manually.   |
| 90A     | Service mode                    | C5 controller blocked.   | Contact authorised service.  |

| <b>Code</b> | <b>Message</b>      | <b>Possible cause</b>  | <b>User's actions</b>   |
|-------------|---------------------|--|---|
| 91A-98A     | Controller failure  | Faulty controller electronic or no connection between controller electronics.      | 1. Check if all wires and cables are connected between the unit sections.<br>2. Contact authorised service.                                       |
| 99A-103A    | Supply fan failure  | Supply air fan or frequency converter not working.                                 | 1. Check if all wires and cables are connected between the unit sections.<br>2. Check the fan circuit breakers.<br>3. Contact authorised service. |
| 104A-108A   | Exhaust fan failure | Exhaust air fan or frequency converter not working.                                | 1. Check if all wires and cables are connected between the unit sections.<br>2. Check the fan circuit breakers.<br>3. Contact authorised service. |
| 109A-113A   | Rotor drive failure | Rotary heat exchanger motor or frequency converter not working.                    | 1. Check if all wires and cables are connected between the unit sections.<br>2. Contact authorised service.                                       |
| 114A-124A   | Communication error | Faulty controller electronic or no connection between controller electronics.      | 1. Check if all wires and cables are connected between the unit sections.<br>2. Contact authorised service.                                       |
| 125A,127A   | Controller failure  | Faulty C5 controller.  | Contact authorised service.   |
| 126A        | Controller failure  | 1. Improperly connected or defective external devices.<br>2. Faulty C5 controller. | 1. Check connection of external devices or contact the representative of the installer.<br>2. Contact authorised service.                         |

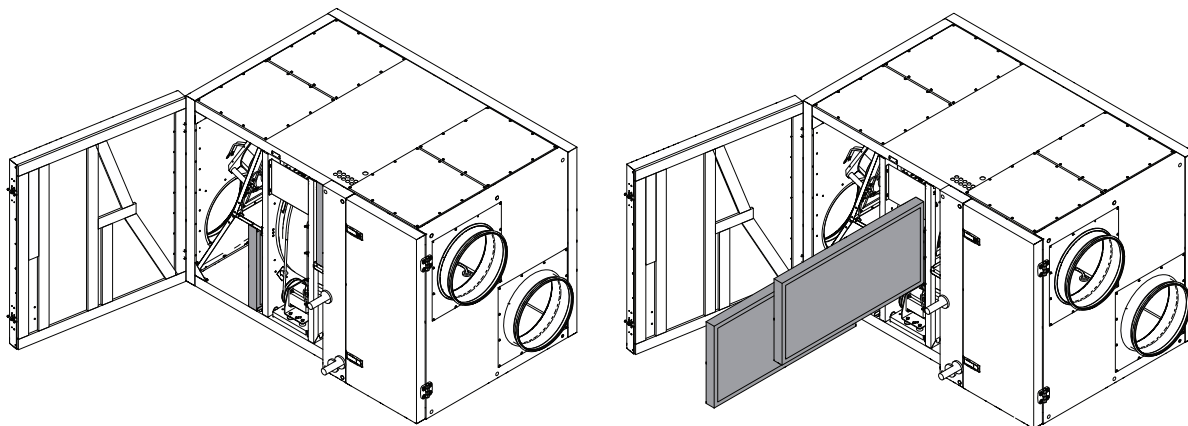
## ANNEX 1

### Filter inspection and replacement

The pictures below show the location of filters on different models of devices. Because the devices are manufactured with the right and left access sides, and the images show only one access side, your device may look different from the one shown. Layout of filters and components presented in the "Installation Manual".

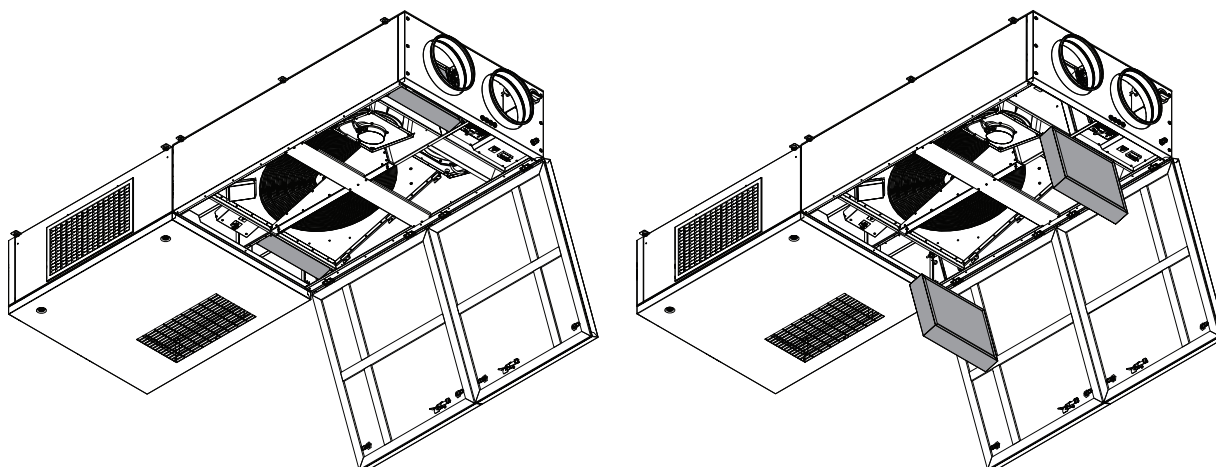
---

#### VERSO R 1000 U/H/V - 1300 U/H/V - 1500 U/H/V



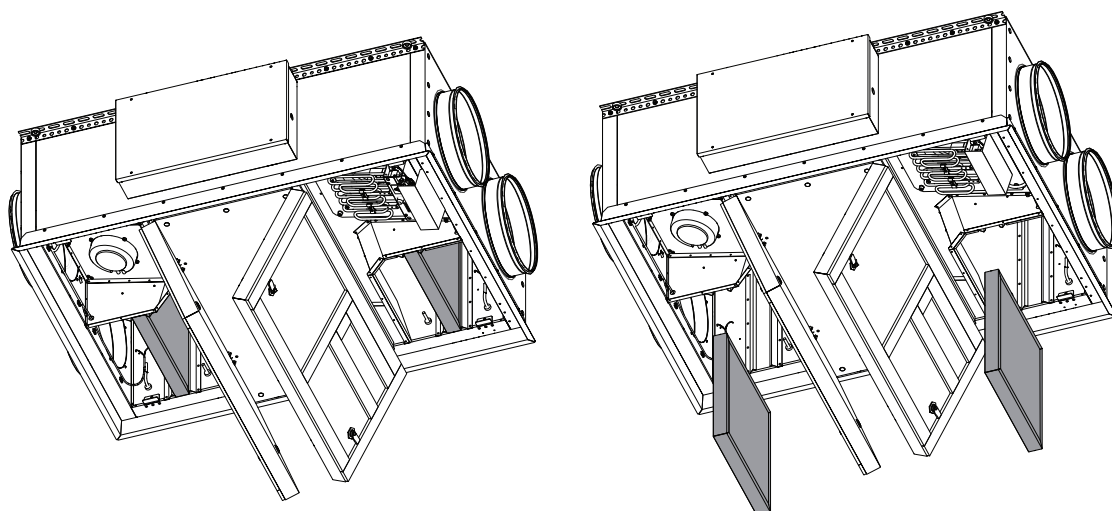

---

#### VERSO R 1000 FSA

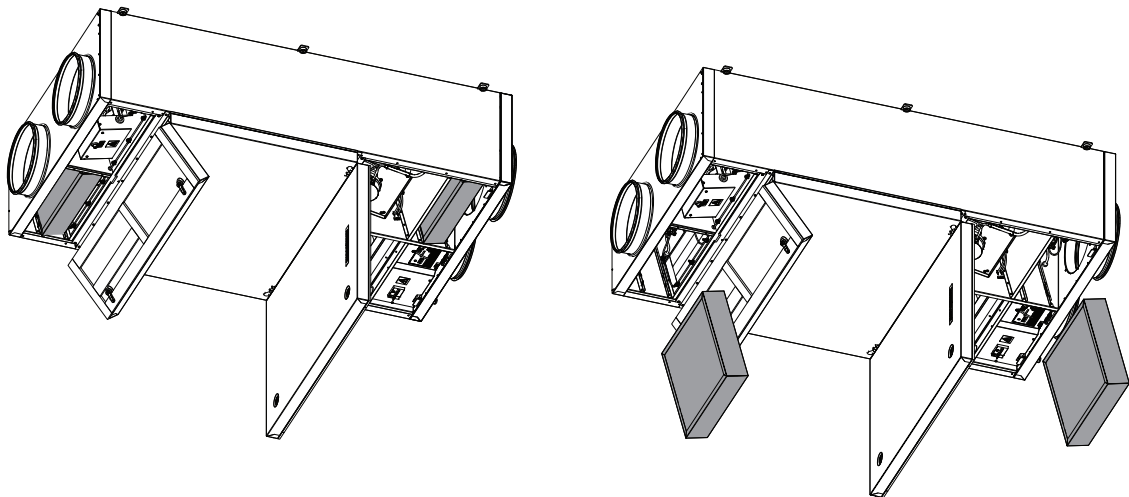



---

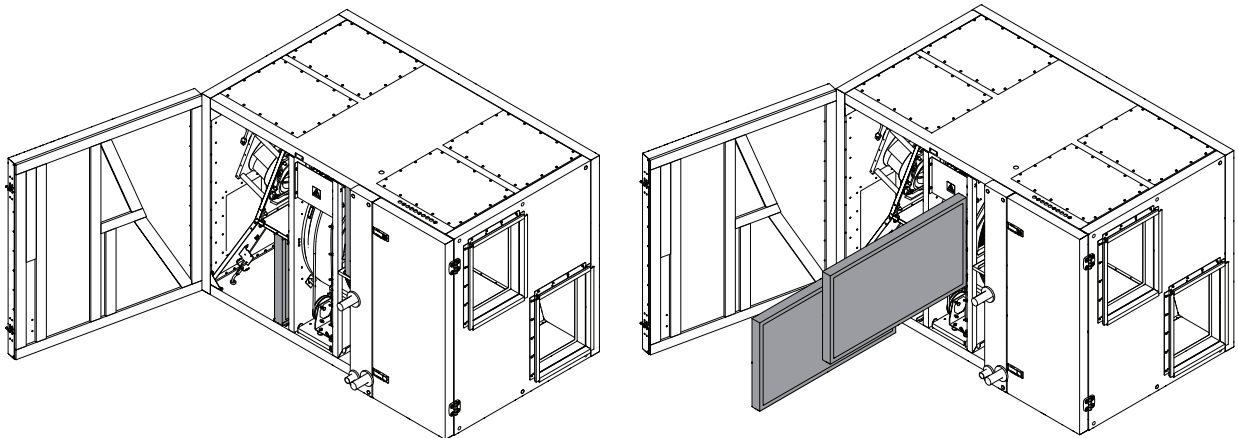
#### VERSO R 1300 F



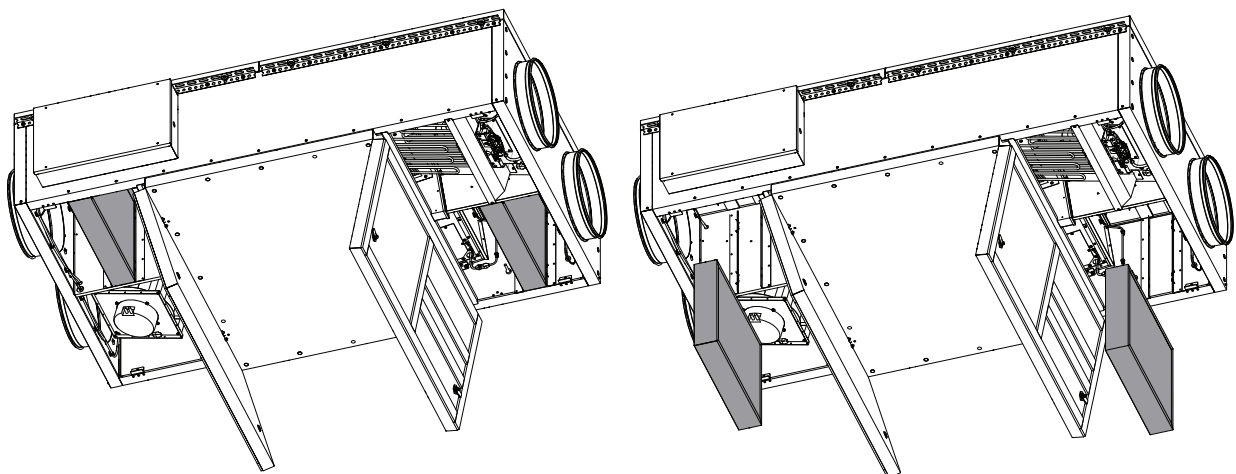
**VERSO R 1500 F**



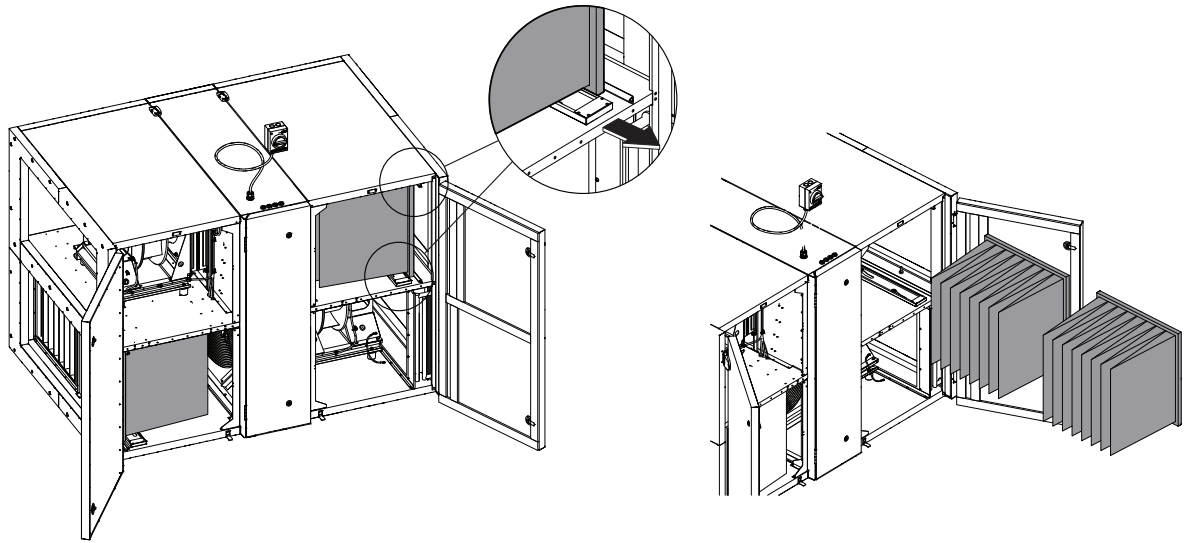
**VERSO R 1700 U/H/V - 2000 U/H/V**



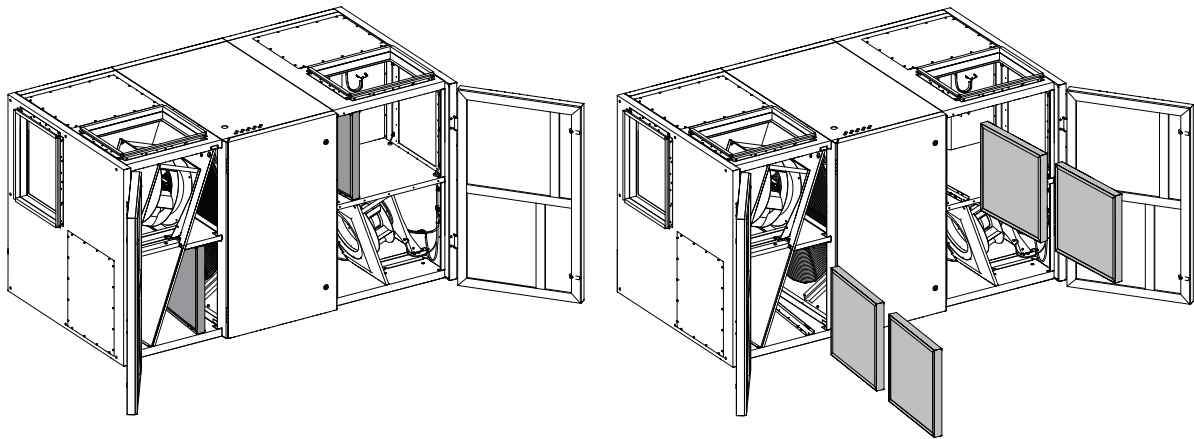
**VERSO R 2000 F**



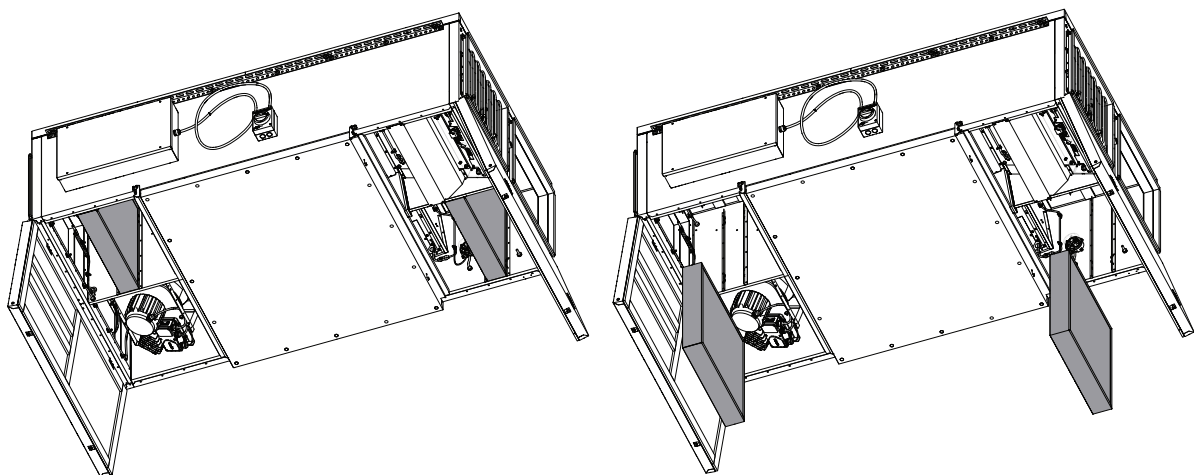
**VERSO R 2500 H - 5000 H**



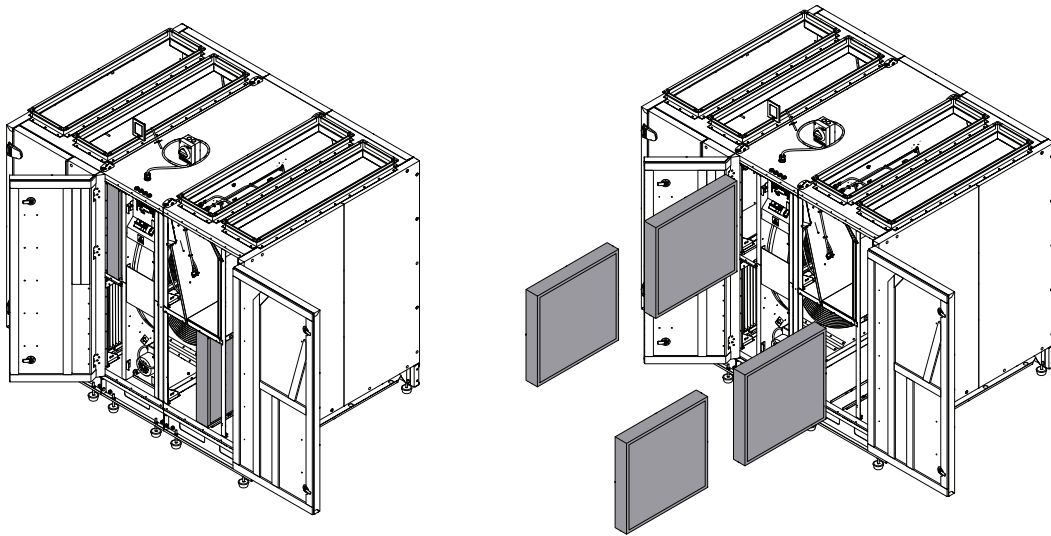
**VERSO R 3000 U/H/V - 4000 U/H/V**



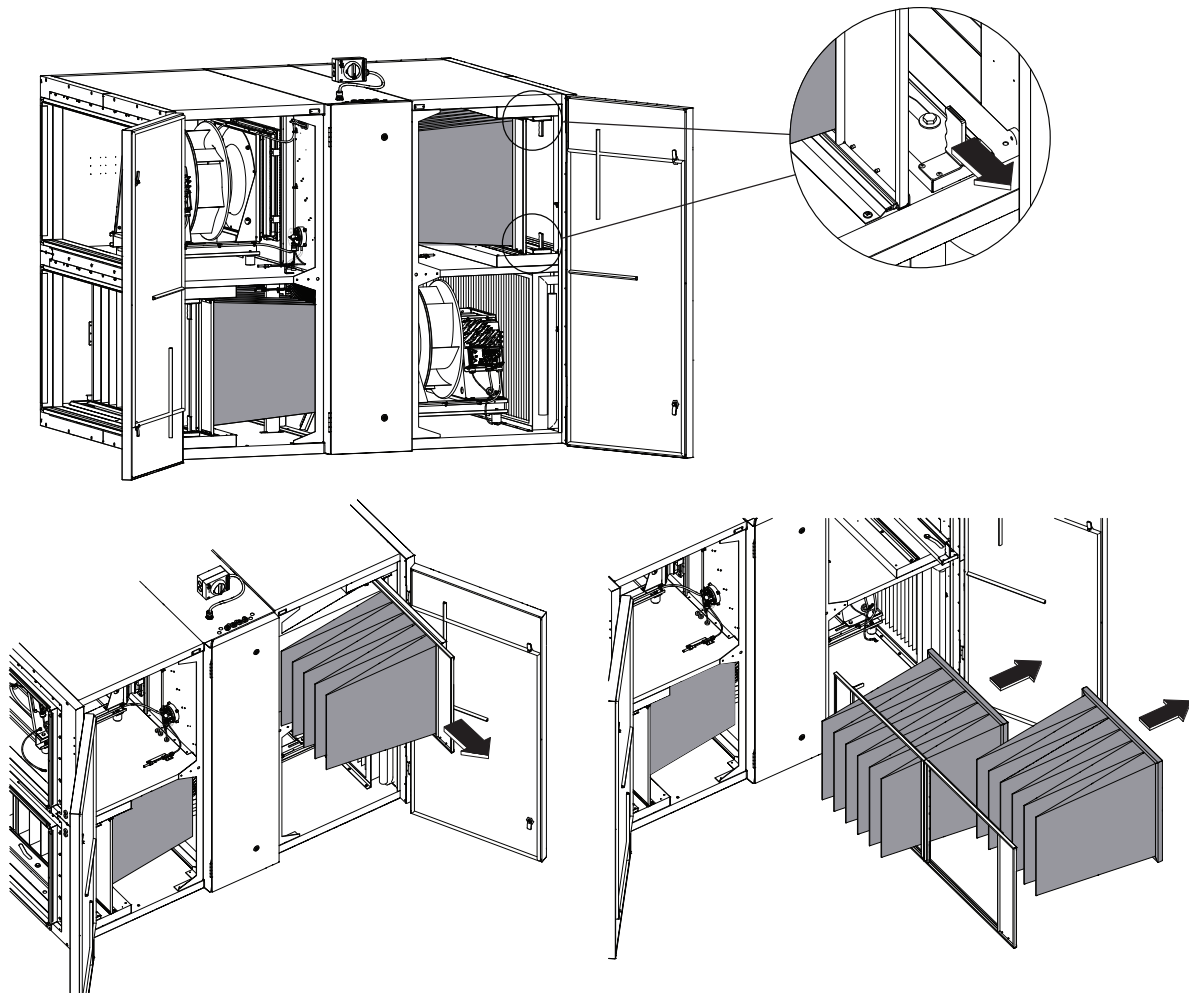
**VERSO R 3000 F**



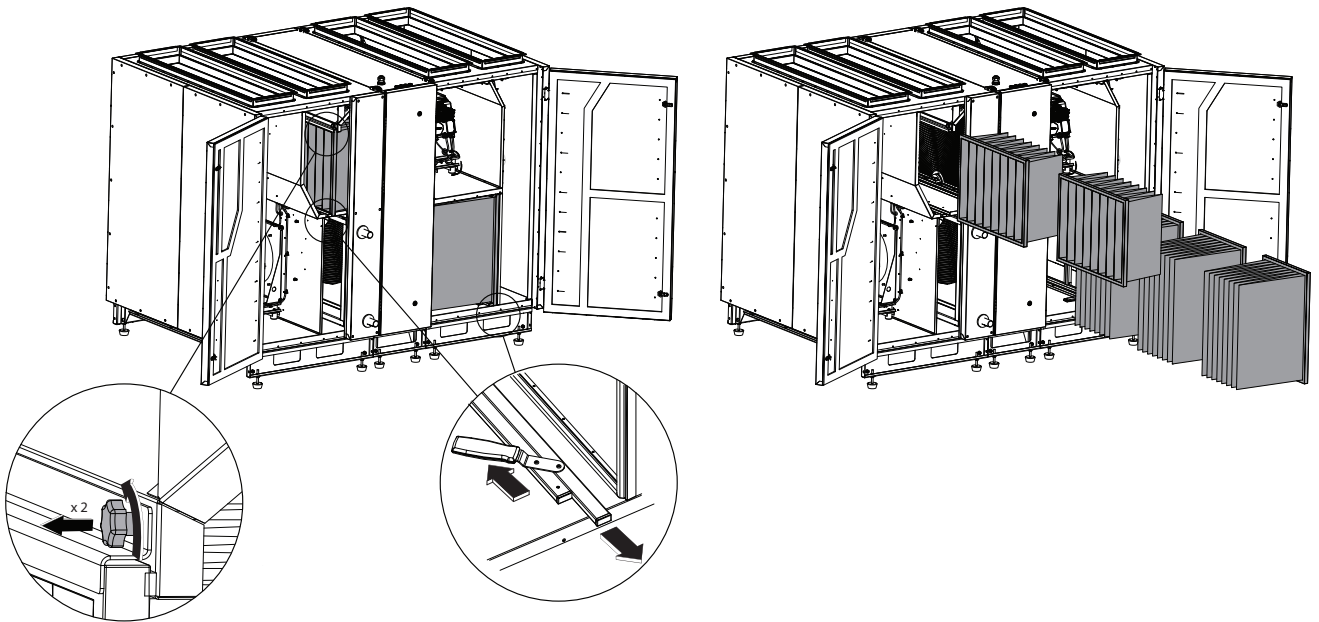
VERSO R 5000 V



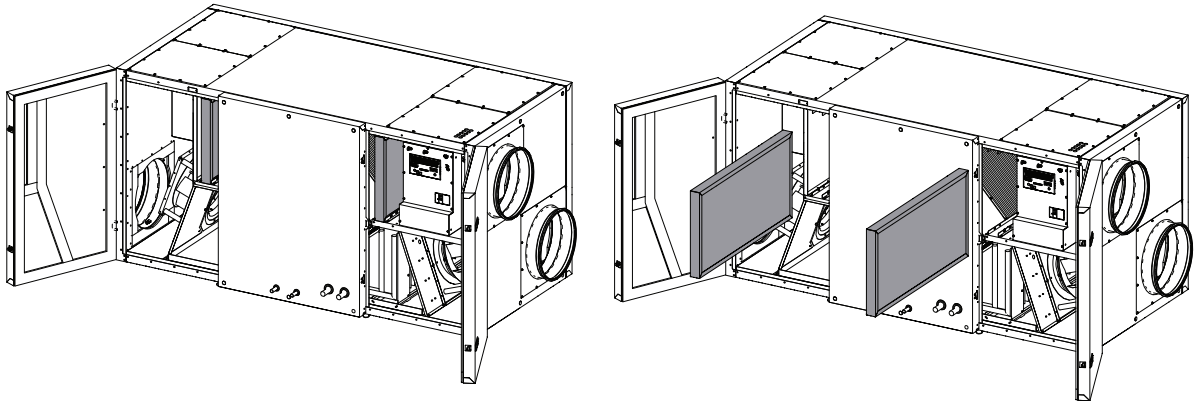
VERSO R 7000 H



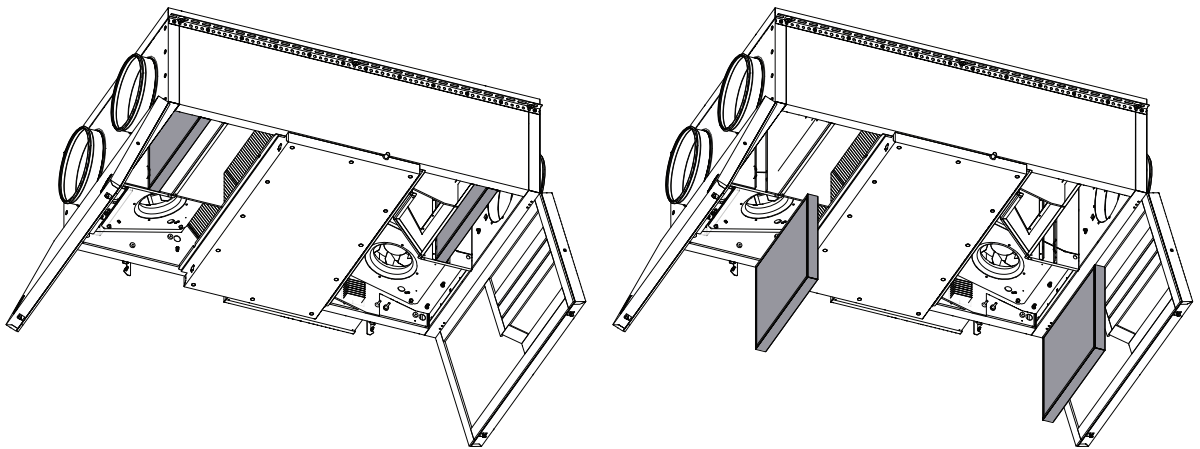
**VERSO R 7000 V**



**VERSO CF 1000 U/H/V - 1300 U/H/V - 1700 U/H/V**

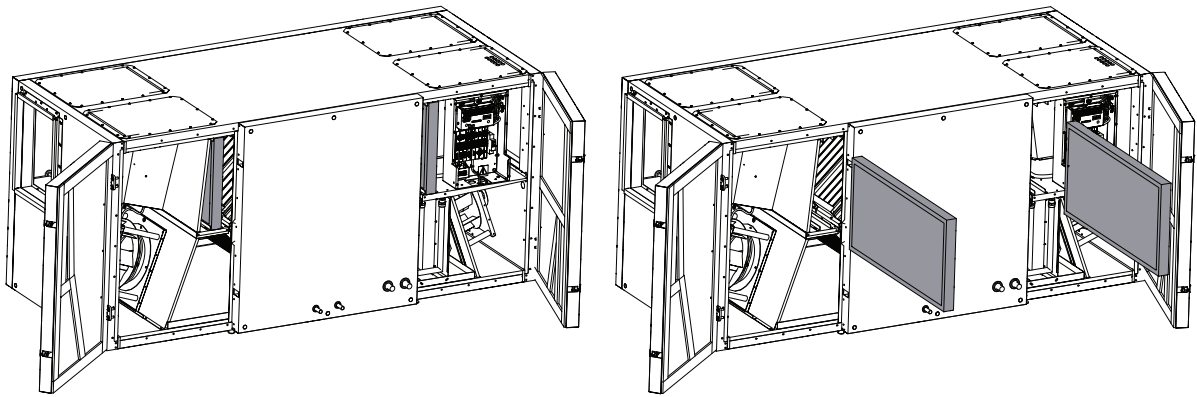


**VERSO CF 1000 F - 1300 F - 1500 F**

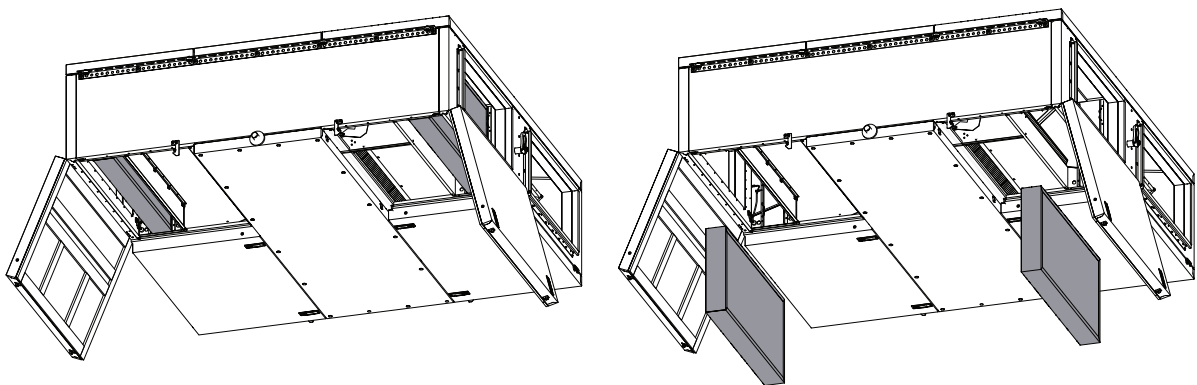




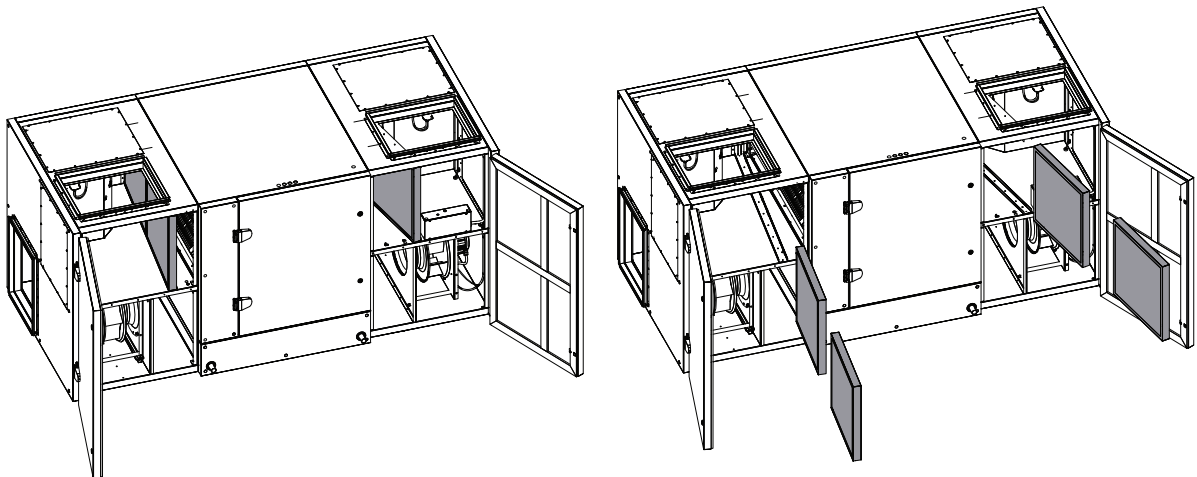
**VERSO CF 2300 U/H/V**



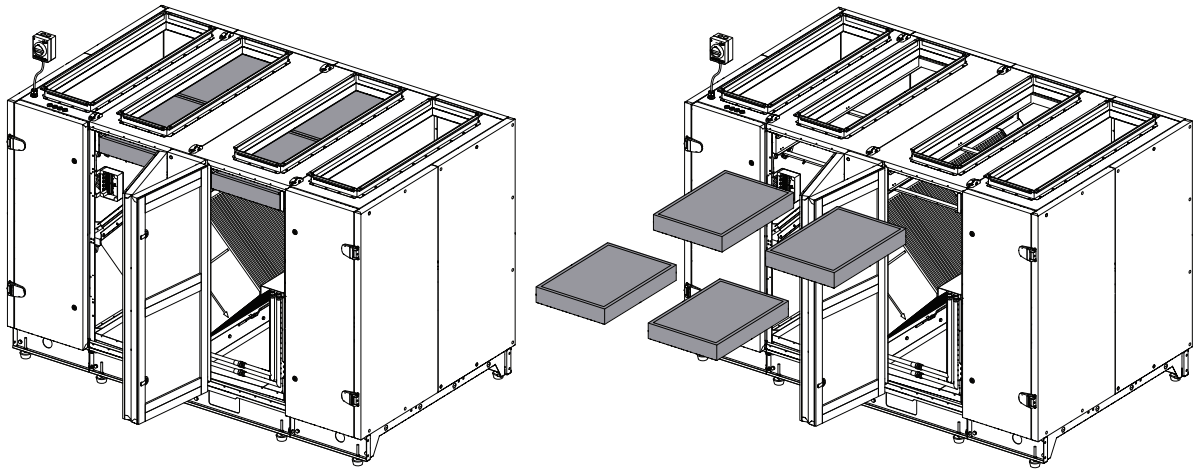
**VERSO CF 2500 F**



**VERSO CF 3500 U/H/V**



VERSO CF 5000 V





## LITHUANIA

### UAB KOMFOVENT

#### SERVICE AND SUPPORT

Phone: +370 5 200 8000  
service@komfovent.com  
www.komfovent.com

## SWEDEN

### Komfovent AB

Ögärdesvägen 12A  
433 30 Partille, Sverige  
Phone: +46 31 487 752  
info\_se@komfovent.com  
www.komfovent.se

## FINLAND

### Komfovent Oy

Muuntotie 1 C1  
FI-01 510 Vantaa, Finland  
Phone: +358 20 730 6190  
toimisto@komfovent.com  
www.komfovent.com

## GERMANY

### Komfovent GmbH

Konrad-Zuse-Str. 2a,  
42551 Velbert, Deutschland  
Phone: +49 0 2051 6051180  
info@komfovent.de  
www.komfovent.de

## LATVIA

### SIA Komfovent

Bukaišu iela 1, LV-1004 Riga, Latvia  
Phone: +371 24 66 4433  
info.lv@komfovent.com  
www.komfovent.com

### Vidzemes filiāle

Alejas iela 12A, LV-4219 Valmiermuiža,  
Valmieras pagasts, Burtnieku novads  
Phone: +371 29 358 145  
kristaps.zaicevs@komfovent.com  
www.komfovent.com

## UNITED KINGDOM

### Komfovent Ltd

Unit C1  
The Waterfront  
Newburn Riverside  
Newcastle upon Tyne NE15 8NZ, UK  
Phone: +447983 299 165  
steve.mulholland@komfovent.com  
www.komfovent.com

## PARTNERS

|    |                                  |                          |
|----|----------------------------------|--------------------------|
| AT | J. PICHLER Gesellschaft m. b. H. | www.pichlerluft.at       |
| BE | Ventilair group                  | www.ventilairgroup.com   |
|    | ACB Airconditioning              | www.acbairco.be          |
| CZ | REKUVENT s.r.o.                  | www.rekuvent.cz          |
|    | WESCO AG                         | www.wesco.ch             |
| CH | SUDCLIMATAIR SA                  | www.sudclimatair.ch      |
|    | CLIMAIR GmbH                     | www.climair.ch           |
| DK | Øland A/S                        | www.oeland.dk            |
| EE | BVT Partners                     | www.bvtpartners.ee       |
| FR | ATIB                             | www.atib.fr              |
| HR | Microclima                       | www.microclima.hr        |
|    | AIRVENT Légtechnikai Zrt.        | www.airvent.hu           |
| HU | Gevent Magyarország Kft.         | www.gevent.hu            |
|    | Merkapt                          | www.merkapt.hu           |
| IR | Fantech Ventilation Ltd          | www.fantech.ie           |
| IS | Blikk & Tækniþjónustan ehf       | www.bogt.is              |
|    | Hitataekni ehf                   | www.hitataekni.is        |
| IT | Icaria srl                       | www.icariavmc.it         |
|    | Ventilair group                  | www.ventilairgroup.com   |
| NL | DECIPOL-Vortvent                 | www.vortvent.nl          |
|    | CLIMA DIRECT BV                  | www.climadirect.com      |
| NO | Ventilution AS                   | www.ventilution.no       |
|    | Ventistål AS                     | www.ventistal.no         |
| NO | Thermo Control AS                | www.thermocontrol.no     |
|    |                                  |                          |
| PL | Ventia Sp. z o.o.                | www.ventia.pl            |
| SE | Nordisk Ventilator AB            | www.nordiskventilator.se |
| SI | Agregat d.o.o                    | www.agregat.si           |
| SK | TZB produkt, s.r.o.              | www.tzbprodukt.sk        |
| UA | TD VECON LLC                     | www.vecon.ua             |